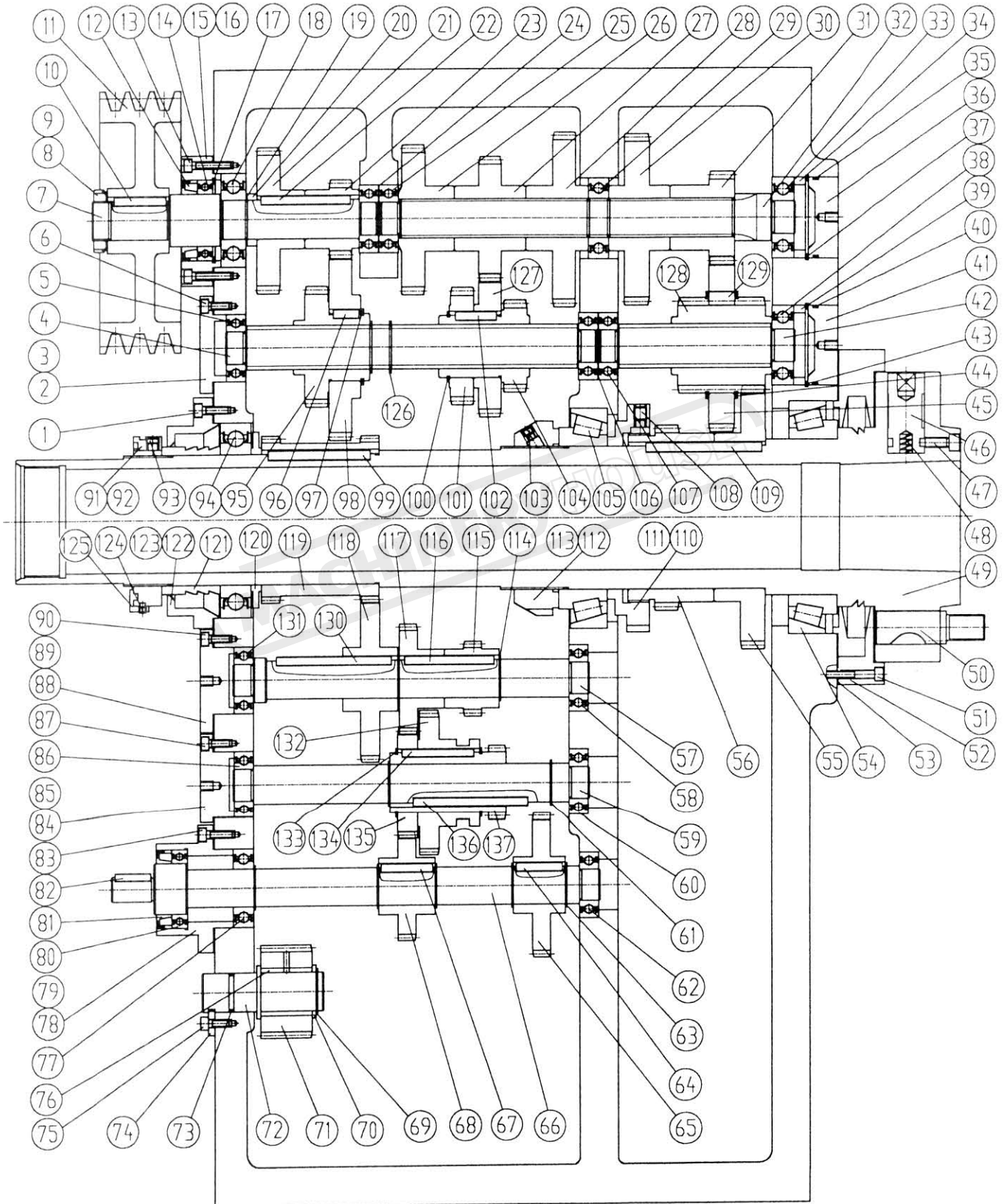
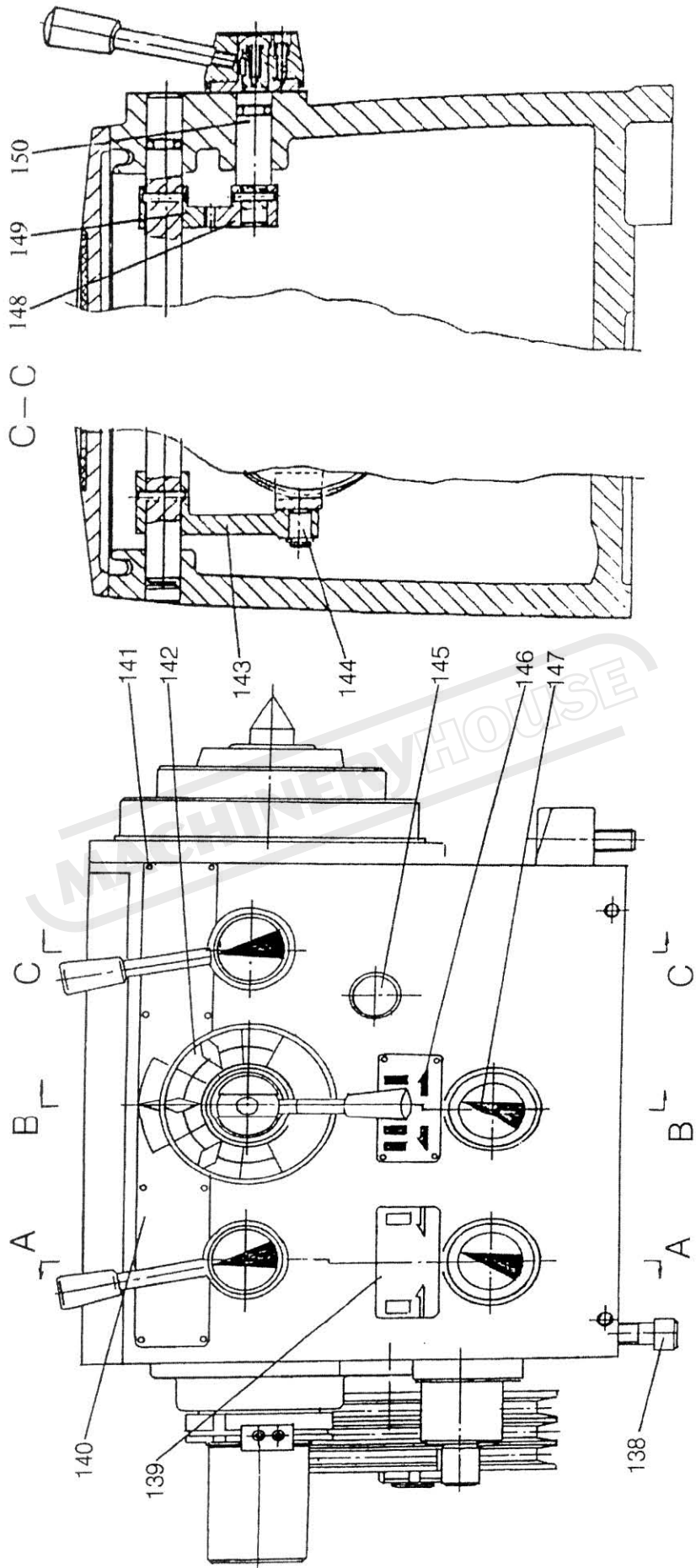
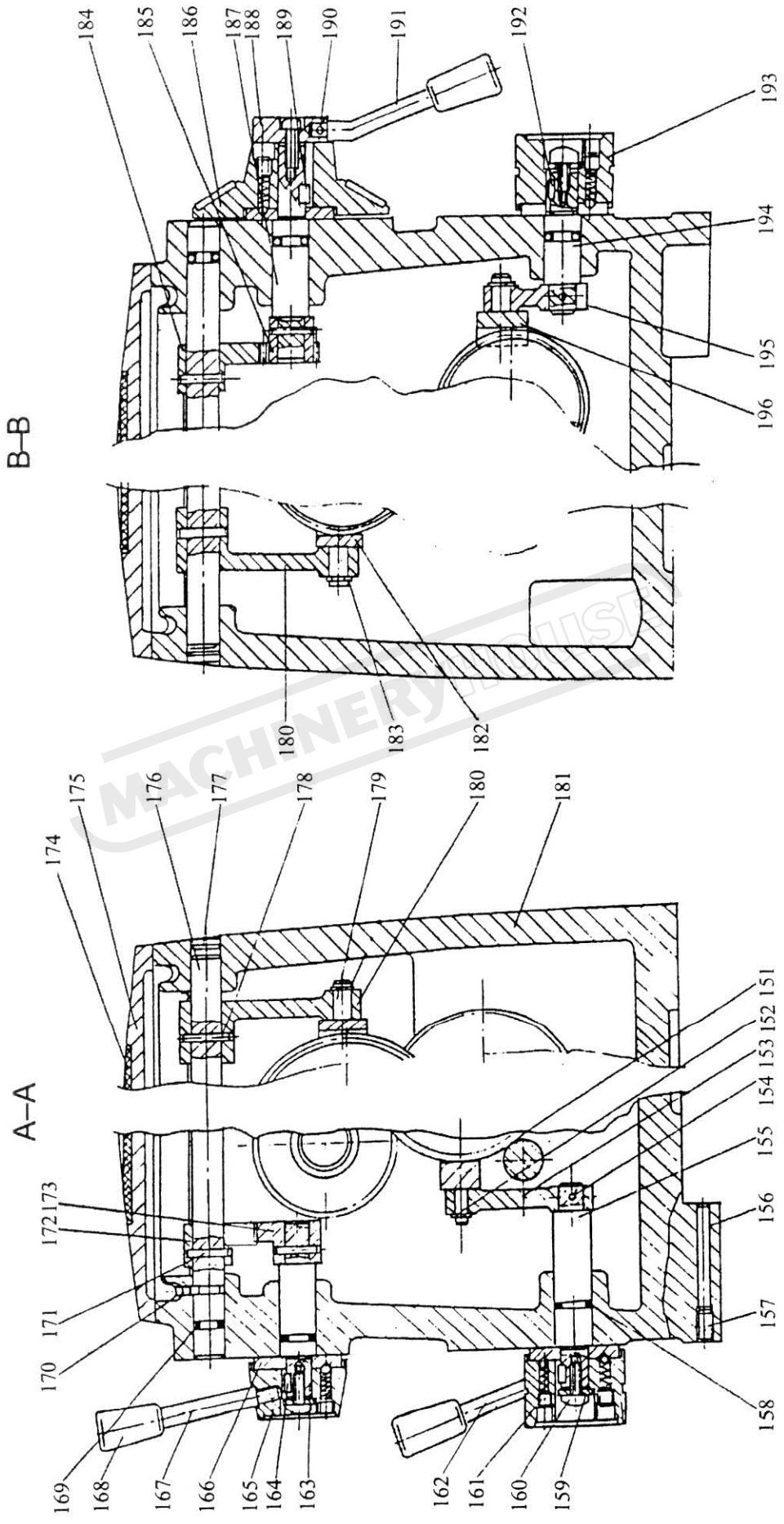
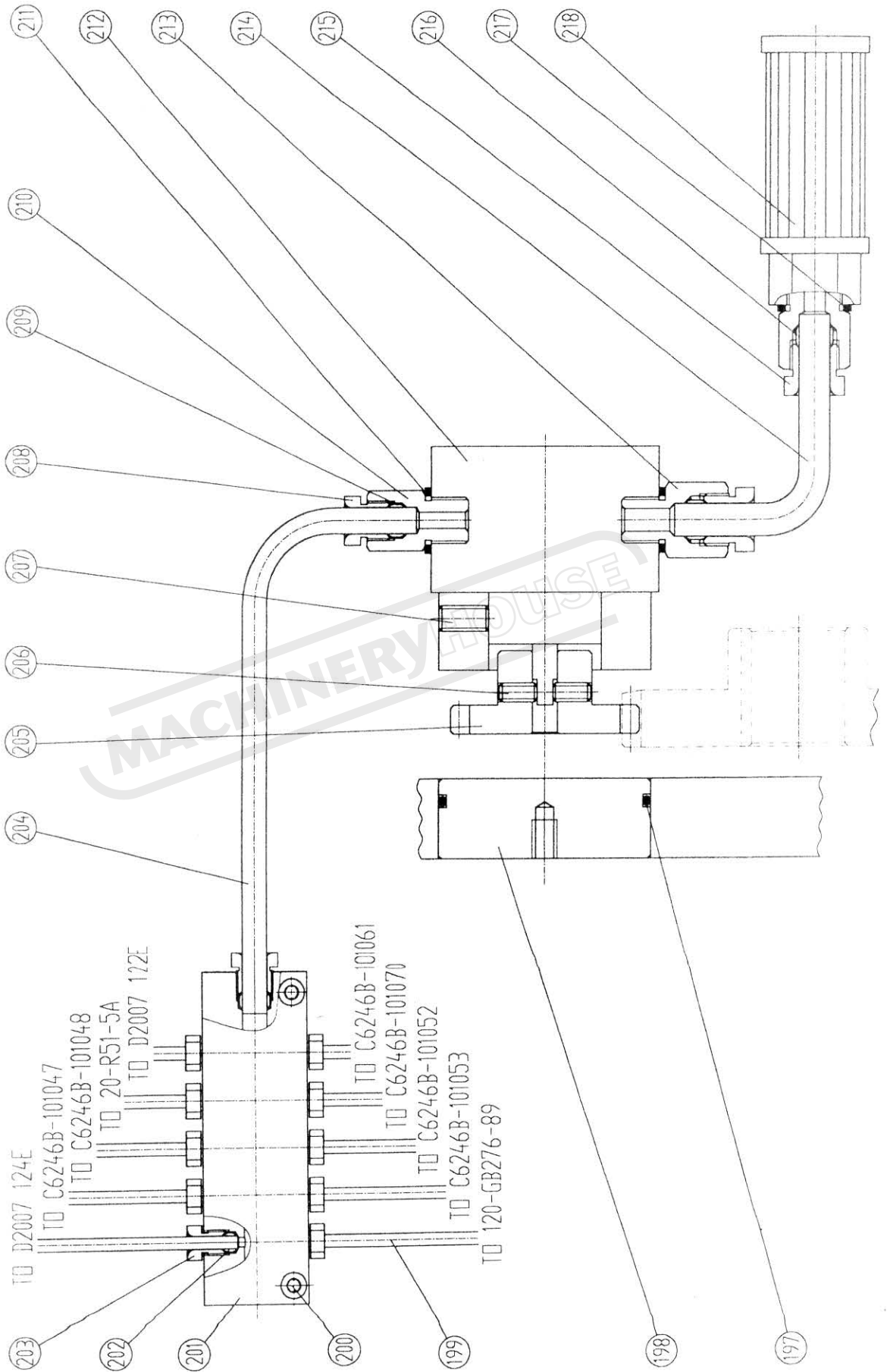


11. Parts List Assembly









No.	Part No.	Name	Specification	Qty.
1	GB70-85	Socket Head Cap Screw	M6×20	4
2	C6246B-101079	Bearing Cover		1
3	C6246B-101079-1	Bearing Cover Seal		1
4	C6246B-101078	Spline Shaft		1
5	GB278-89	Ball Bearing	80205	1
6	GB70-85	Socket Head Cap Screw	M6×16	3
7	C6246B-101080	Input Shaft		1
8	GB812-88	Round Nut		1
9	GB858-88	Lock Washer	M30×1.5	1
10	GB1096-79	Flat Key	8×40	1
11	RUN6246-101011	Belt Pulley		1
12	HG4-692-67	Dil Seal	PD40×62×12	1
13	GB70-85	Socket Head Cap Screw	M6×30	4
14	GB278-89	Ball Bearing	1080908	1
15	C6246B-101024	Bearing Cap		1
16	C6246B-101024-1	Bearing Seat Seal		1
17	GB893.1-86	Snap Ring	62	1
18	GB278-89	Ball Bearing	80306	1
19	GB894.1-86	Snap Ring	30	1
20	C6246B-101025	Spacer		1
21	C6246B-101026	Gear		1
22	GB1096-79	Flat Key	8×70	1
23	C6246B-101027	Gear		1
24	C6246B-101028	Spacer		3
25	GB278-89	Ball Bearing	80205	2
26	C6246B-101029	Gear		1
27	C6246B-101030	Gear		1
28	C6246B-101031	Gear		1
29	GB278-89	Ball Bearing	80206	1
30	C6246B-101032	Gear		1
31	C6246B-101033	Gear		1
32	C6246B-101035	Spline Shaft		1
33	GB278-89	Ball Bearing	80305	1
34	C6246B-101034-2	Washer		1
35	GB3452.1-82	O-Ring	56×2.65	1
36	RUN6246-101019-1	Protection		1
37	GB893.1-86	Snap Ring	62	1
38	GB278-89	Ball Bearing	80305	1
39	C6246B-101034-2	Washer		1
40	GB3452.1-82	O-Ring	56×2.65	1
41	RUN6246-101019-1	Protection Cover		1
42	C6246B-101037	Spline Shaft		1
43	GB893.1-86	Snap Ring	62	1
44	GB894.1-86	Snap Ring	75	2
45	C6246B-101036	Gear		1
46	C6246B-101042	Cam Lock for D1-8		6
47	C6246B-101044	Screw for D1-8		6
48	RUN6246-101082-1	Spring		6
49	C6246B-101049-1	Spindle		1
50	C6246B-101050	Cam Screw for D1-8		6

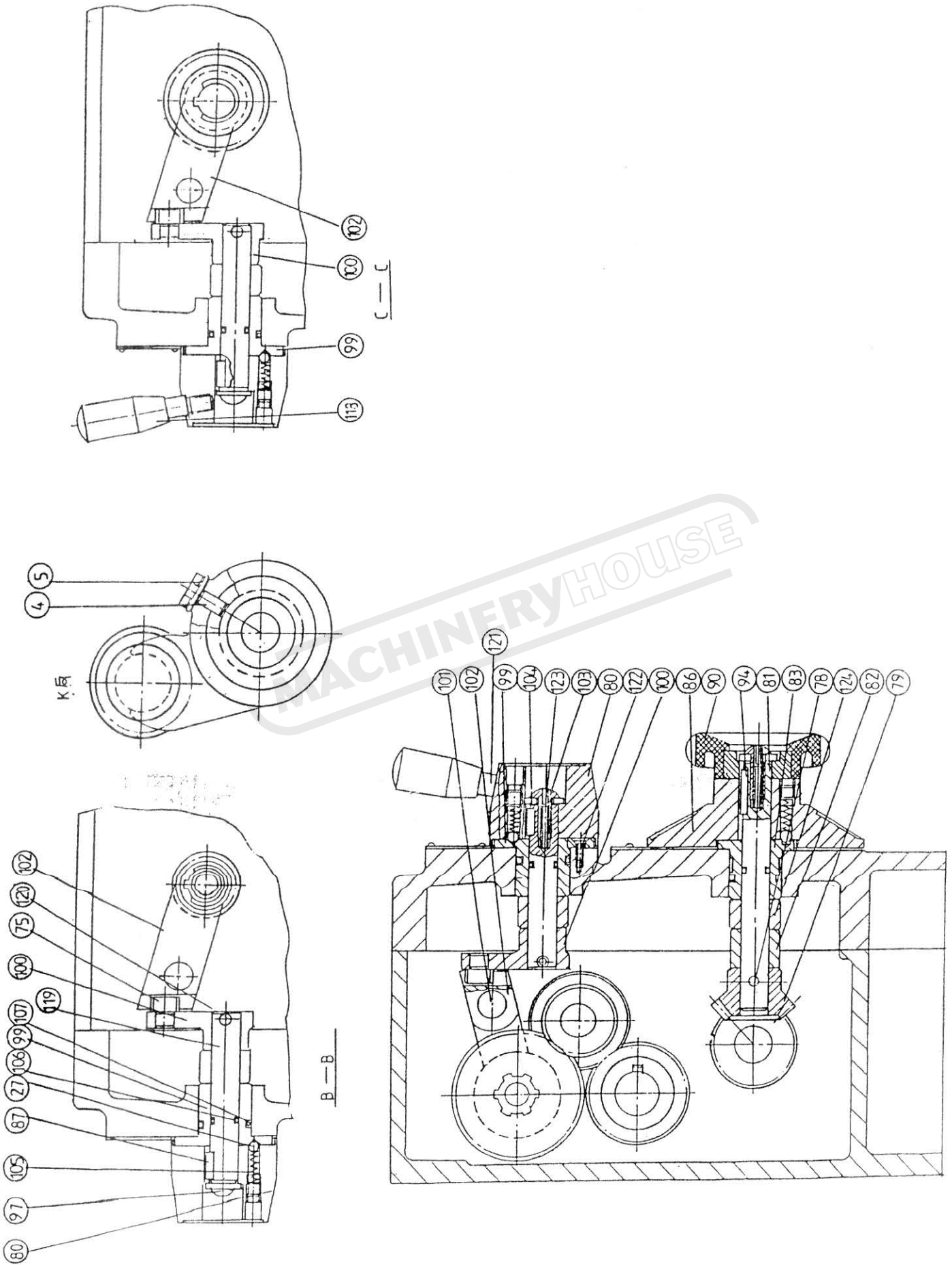
No.	Part No.	Name	Specification	Qty.
51	GB70-85	Socket Head Cap Screw	M6×40	5
52	C6246B-101051	Front Bearing Cover	D1-8	1
53	C6246B-101051-1	Front Bearing Cover Seal		1
54	GB297-84	Ball Bearing	D2007124E	1
55	C6246B-101048	Gear		1
56	C6246B-101047	Gear		1
57	C6246B-101069	Shaft		1
58	GB278-89	Ball Bearing	80205	1
59	C6246B-101065	Shaft		1
60	GB278-89	Ball Bearing	80205	1
61	GB894.1-86	Snap Ring	30	2
62	GB278-89	Ball Bearing	80205	1
63	GB894.1-86	Snap Ring	30	5
64	GB1096-79	Flat Key	8×36	1
65	C6246B-101054	Gear		1
66	C6246B-101064	Output Shaft		1
67	GB1096-79	Flat Key	8×40	1
68	C6246B-101058	Gear		1
69	GB894.1-86	Snap Ring	30	1
70	C6246B-101059	Spacer		1
71	C6246B-101060	Stationary Pulley		1
72	C6246B-101061	Stationary Pulley Shaft		1
73	GB1235-76	O-Ring	30×2.4	1
74	RUN6246-101048	Spacer		1
75	GB70-85	Socket Head Cap Screw	M6×16	1
76	C6246B-101060-1	Brass		1
77	GB278-89	Ball Bearing	80206	1
78	C6246B-101063	Bearing Seat		1
79	C6246B-101063-1	Bearing Seat Seal		1
80	GB278-89	Ball Bearing	1080908	1
81	HG4-692-67	Oil Seal	PD40×62×12	1
82	GB1096-79	Flat Key	6×28	1
83	GB70-85	Socket Head Cap Screw	M6×20	3
84	C6246B-101067	Bearing Cover		1
85	C6246B-101067-1	Bearing Cover Seal		1
86	GB278-89	Ball Bearing	80205	1
87	GB70-85	Socket Head Cap Screw	M6×16	13
88	C6246B-101068	Bearing Cover	80305	1
89	C6246B-101068-1	Bearing Cover Seal		1
90	GB70-85	Socket Head Cap Screw	M6×16	3
91	C6246B-101074	Lock Nut		1
92	C624610101074-1	Brass		1
93	GB79-85	Socket Head Set Screw	M10×10	1
94	GB276-89	Ball Bearing	120	1
95	C6246B-101077	Gear		1
96	GB1096-79	Flat Key	8×20	1
97	GB894.1-86	Snap Ring	52	1
98	C6246B-101076	Gear		1
99	GB1096-79	Flat Key	10×80	1
100	GB894.1-86	Snap Ring	48	1

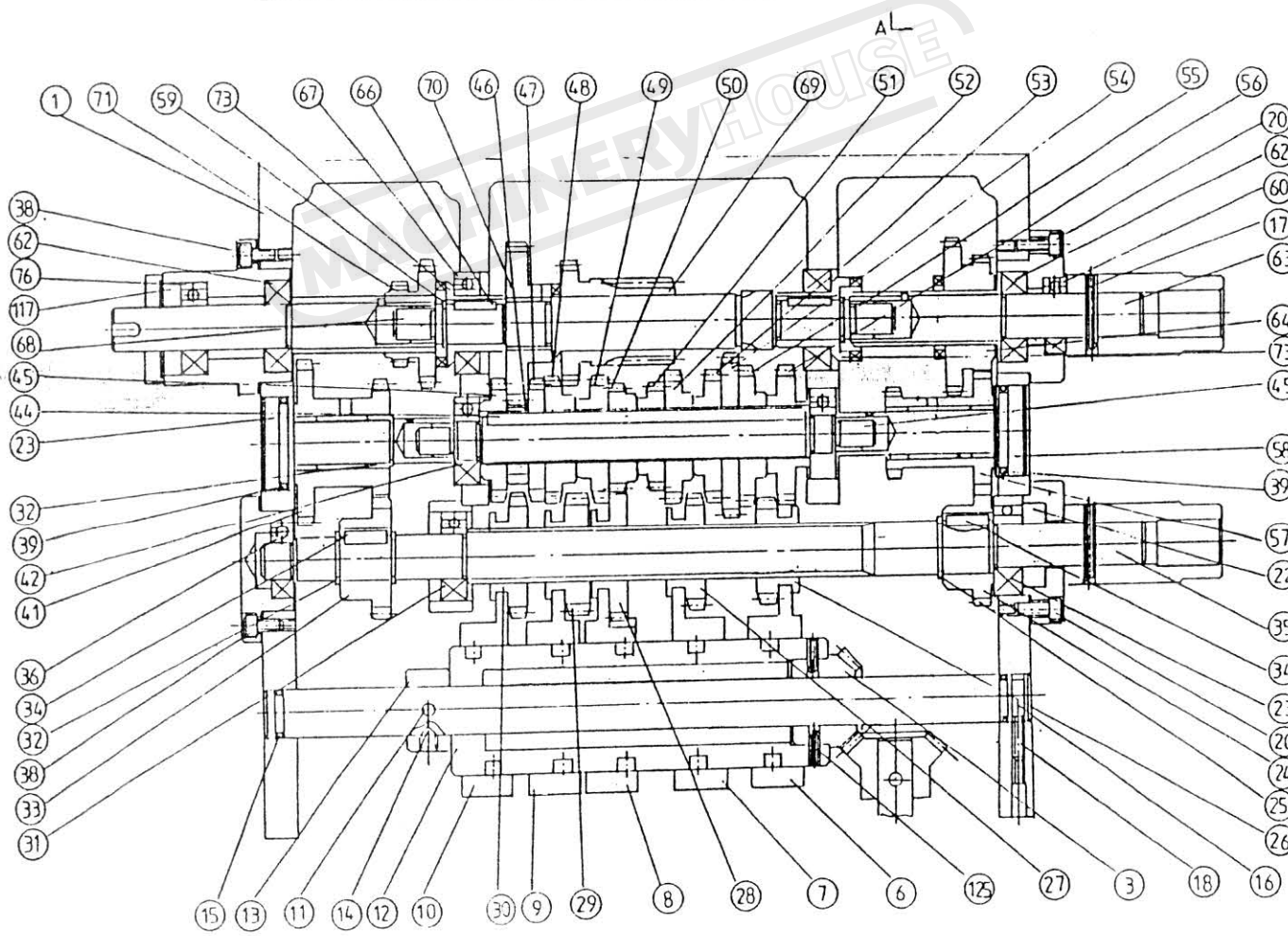
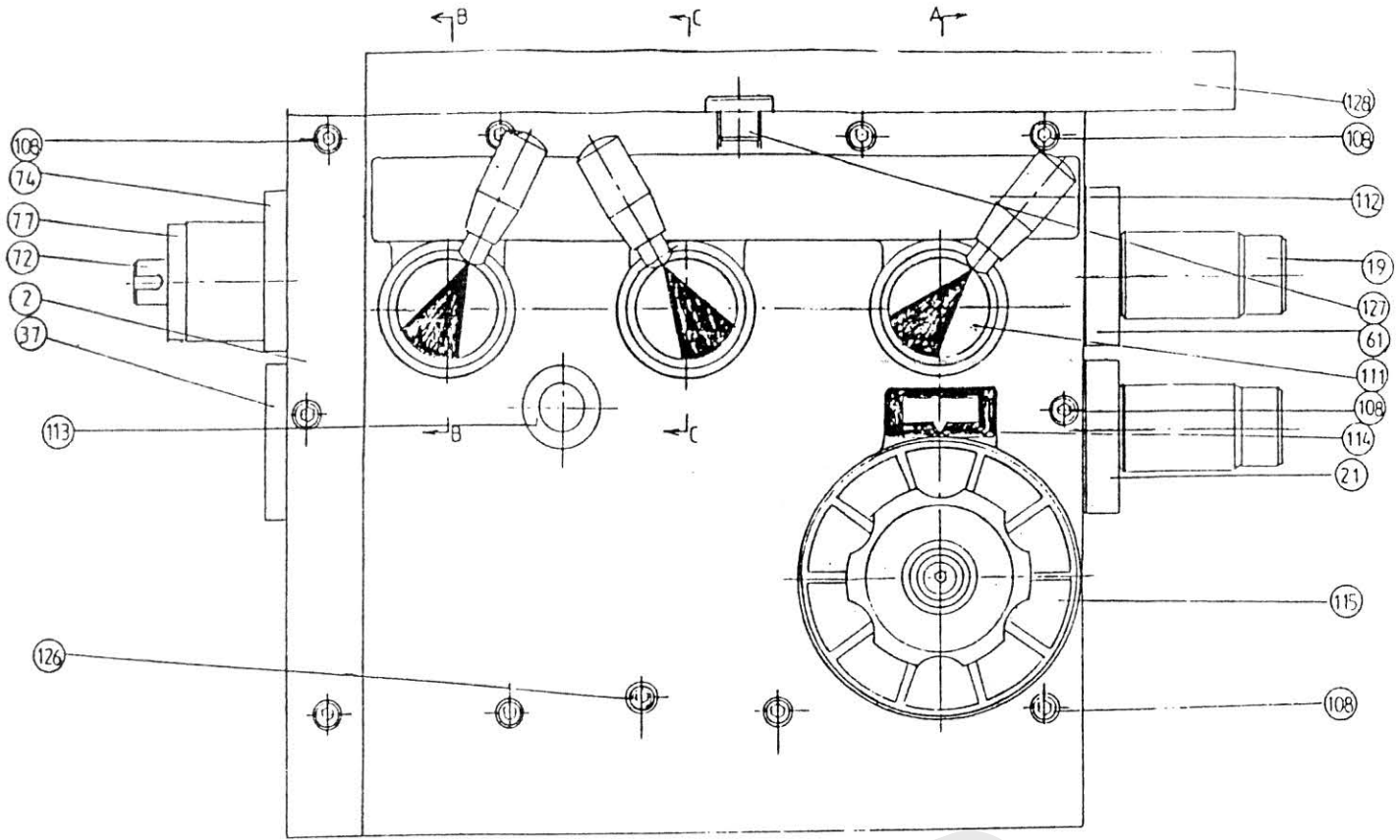
No.	Part No.	Name	Specification	Qty.
101	C6246B-101039	Gear		1
102	GB1096-79	Flat Key	8×32	1
103	GB79-85	Socket Head Set Screw	M8×10	3
104	C6246B-101041	Gear		1
105	GB297-84	Ball Bearing	D2007122E	1
106	C6246B-101028	Spacer		3
107	GB278-89	Ball Bearing	80205	2
108	GB79-85	Socket Head Set Screw	M10×16	1
109	GB1096-79	Flat Key	10×90	1
110	C6246B-101046	Lock Nut		1
111	C6246B-101046-1	Brass		1
112	C6246B-101045	Lock Nut		1
113	C6246b-101045-1	Brass		1
114	GB894.1-86	Snap Ring	30	2
115	C6246B-101052	Gear		1
116	GB1096-79	Flat Key	8×70	1
117	C6246B-101053	Gear		1
118	C6246B-101066	Gear		1
119	C6246B-101070	Gear		1
120	C6246B-101071	Shaft Ring		1
121	C6246B-101072	Oil Ring		1
122	C6246B-101075	Rear Bearing Cover		1
123	C6246B-101075-1	Rear Spindle Bearing Cover Seal		1
124	GB79-85	Socket Head Set Screw	M6×8	4
125	C6246B-101073	Balance Block		2
126	GB894.1-86	Snap Ring	34	2
127	C6246B-101040	Gear		1
128	C6246B-101038	Gear		1
129	C6246B-101036-1	Flat Key		2
130	GB1096-79	Flat Key	8×90	1
131	GB278-89	Ball Bearing	80205	1
132	C6246B-101056	Gear		1
133	GB894.1-86	Snap Ring	48	2
134	GB1096-79	Flat Key	6×56	1
135	C6246B-101057	Gear		1
136	GB1096-79	Flat Key	8×90	1
137	C6246B-101055	Gear		1
138	GB70-85	Socket Head Cap Screw	M16×55	3
139	C6246B-101098	Plate		1
140	C6246B-101006	Plate		1
141	GB827-85	Rivet	2×5	15
142	C6246B-101007	Plate		1
143	C6246B-101018	Lever		1
144	C6246B-101012-1	Fork		1
145	R51-5A	Oil Sight Glass	A20	1
146	RUN6246-101100	Plate		1
147	RUN6246-101099	Plate		1
148	C6246B-101079	Gear		1
149	C6246B-101005	Gear		1
150	RUN6246-101065	Shaft		1

No.	Part No.	Name	Specification	Qty.
151	C6246B-101008	Fork		1
152	GB894.1-86	Circlip	10	5
153	C6246B-101009	Lever		1
154	GB879-86	Spring Pin	5×26	2
155	C6246B-101017-1	Shaft		1
156	RUN6246-101080	Pin		2
157	GB79-85	Socket Head Set Screw	M10×25	2
158	GB1235-76	O-Ring	22×2.4	5
159	RUN6246-101070-1	Washer		4
160	RUN6246-101088	Screw		5
161	GB77-85	Socket Head Set Screw	M8×8	6
162	C6246B-101010	Lever		2
163	RUN6246-101065	Shaft		1
164	GB1096-79	Flat Key	5×12	3
165	RUN6246-101071	Handle		3
166	RUN6246-101067	Fix Plate		5
167	RUN6246-101072	Lever		2
168	1.307/30	Knob	BM10	5
169	GB1235-76	O-Ring	20×2.4	6
170	GB79-85	Socket Head Set Screw	M6×6	3
171	GB879-86	Spring Pin	5×26	1
172	C6246B-101005	Gear		1
173	C6246B-101004	Gear		1
174	C6246B-101003	Cover Dress		1
175	C6246B-101002	Headstock Cover		1
176	C6246B-101023	Shaft		3
177	RUN6246-101083	Plug		3
178	GB879-86	Spring Pin	5×30	1
179	C6246B-101021	Fork		1
180	C6246B-101022	Lever		1
181	C6251A-04-01	Headstock		1
181	C6256A-04-01	Headstock		1
182	C6246B-101012	Fork		1
183	GB894.1-86	Circlip	12	2
184	C6246B-101005-1	Gear		1
185	C6246B-101004-1	Gear		1
186	RUN6246-101077-1	Handle		1
187	RUN6246-101065-1	Shaft		1
188	RUN6246-101077-2	Block		1
189	GB1096-79	Flat Key	5×12	1
190	GB879-86	Spring Pin	4×20	1
191	RUN6246-101077-3	Lever		1
192	GB1096-79	Flat Key	5×12	2
193	RUN6246-101077A	Handle		1
194	C6246B-101017	Shaft		1
195	C6246B-101016	Lever		1
196	C6246B-101015	Fork		1
197	GB1235-76	O-Ring	68×3.1	1
198	C6246B-101082	Protection		1
199	GB1527-79-M-T3	Brass Tube	4×0.75	1

No.	Part No.	Name	Specification	Qty.
200	GB70-85	Socket Head Cap Screw	M5×25	2
201	C6246B-101084	Manifold		1
202	B1061C	Double Taper Sheath		11
203	15326C	Tie-in		11
204	GB1527-79-M-T3	Brass Tube	8×0.75	1
205	C6246B-101081	Gear		1
206	GB80-85	Screw	M6×12	2
207	GB80-85	Screw	M6×16	1
208	25567	Tie-in		2
209	B145C	Double Taper Sheath		2
210	C6246B-101086	Conjunctional Block		1
211	GB52-2	Washer	14	2
212	SNBY2.510.5	Motor	M14×1.5	1
213	C6246B-101087	Conjunctional Block		1
214	GB1527-79-M-T3	Brass Tube	10×0.75	1
215	25568	Tie-in		2
216	25677	Double Taper Sheath		2
217	GB52-2	Washer	18	1
218	Wu-16×180-J	Filter		1

MACHINERYHOUSE



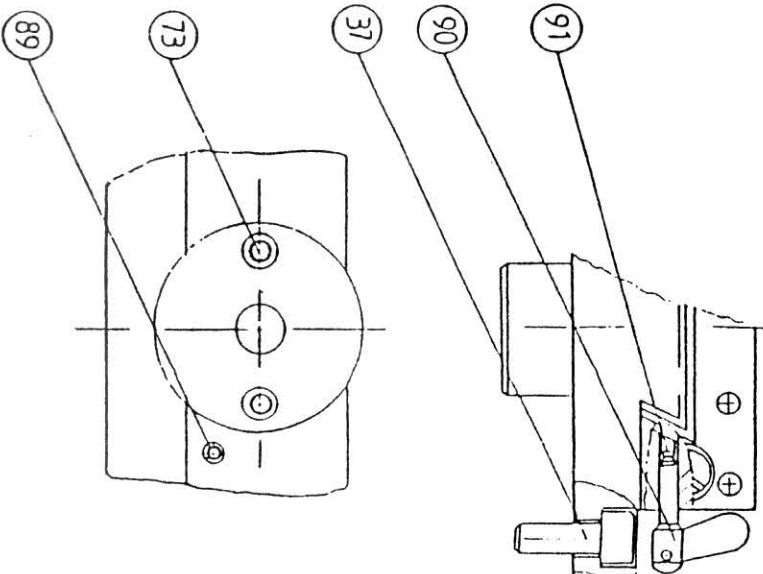
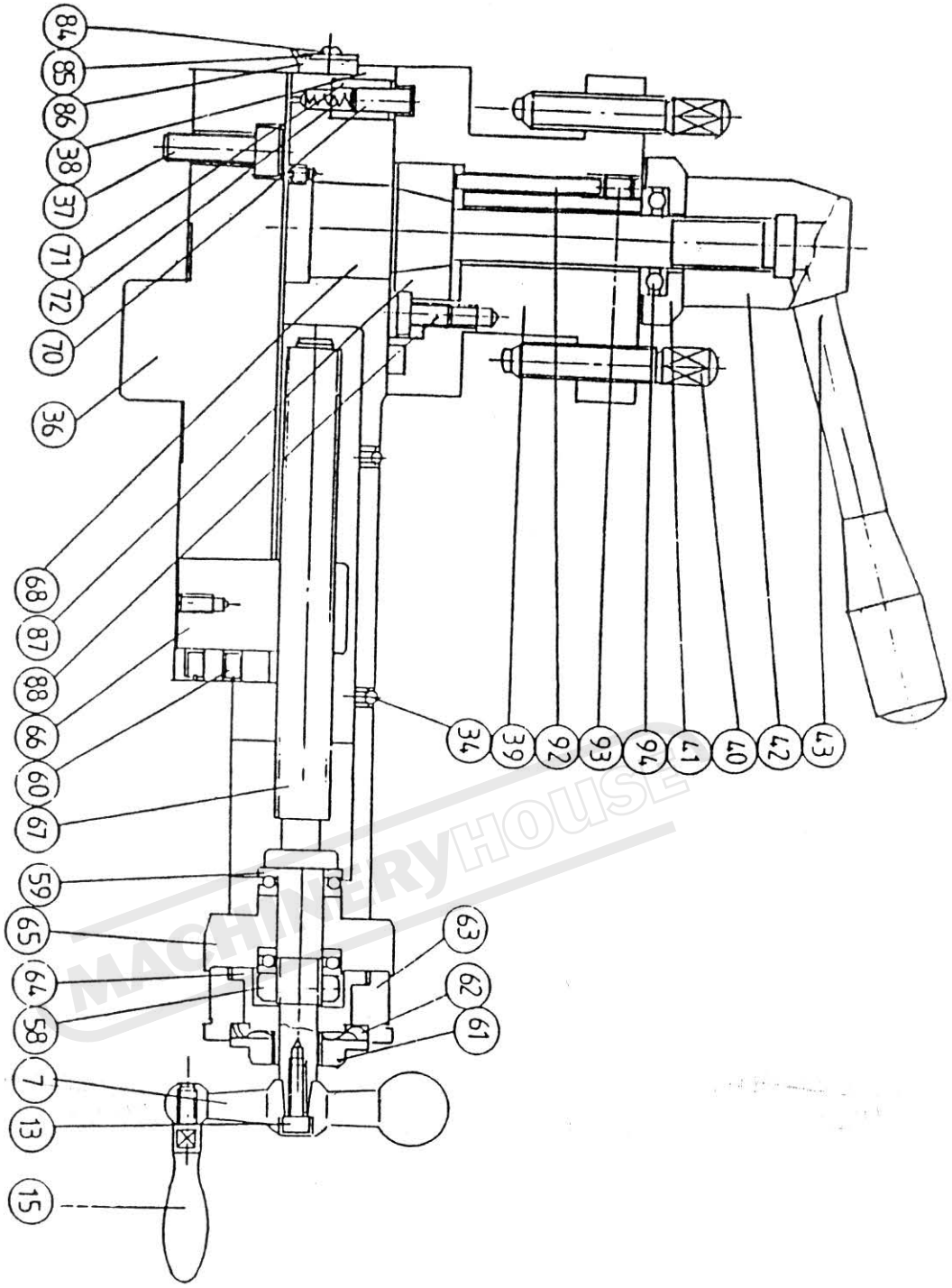


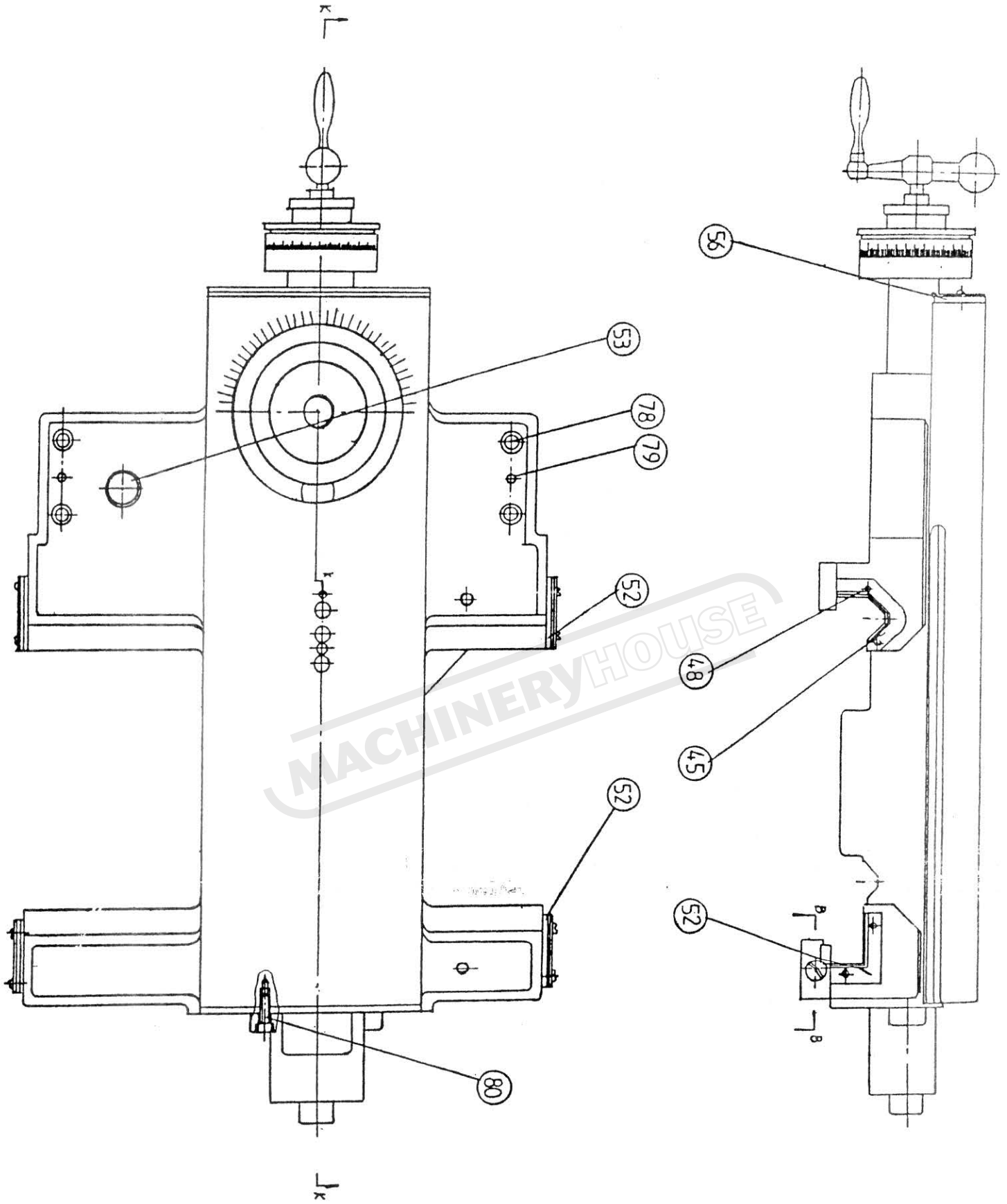
Ref. No.	Parts No.	Description	No. OFF/MC
1.	102001-00	Gear Box.....	1
2.	C6251A-05-02	Front Cover.....	1
3.	102003-00	Gear-Drive Bevel.....	1
4.	102064-00	Fixed Pin.....	1
5.	102001-00-01	Pin-Split..... 02.5.....	5
6.	102004-00	Claw-Shifer.....	1
7.	102005-00	Claw-Shifer.....	1
8.	102006-00	Claw-Shifer.....	1
9.	102007-00	Claw-Shifer.....	1
10.	102008-00	Claw-Shifer.....	1
11.	102001-00-02	Spring Pin 05.....	2
12.	102009-00	Cam Shifter.....	1
13.	102010-00	H-Shaft.....	1
14.	102001-00-03	Socket Set Screw M8XP1.25X8L.....	1
15.	102001-00-04	O-Ring P18.....	2
16.	102011-00	H-Shaft.....	1
17.	102001-00-05	Spring Pin 05X38L.....	2
18.	102001-00-06	Socket Set Screw M6XP1.0X20L.....	2
19.	C6251A-05-03	Collar-Linkage.....	2
20.	102001-00-07	Socket Cap Screw M6XP1.0X16L.....	6
21.	102013-00	Cap-Right.....	1
22.	102001-00-08	Oil Seal TC20X40X10.....	1
23.	102001-00-09	Ball Bearing #6204.....	1
24.	102014-01	Gear.....	1
25.	102001-00-10	Snap Ring STW25.....	1
26.	102015-00	Gear.....	1
27.	102016-00	Gear.....	1
28.	102017-00	Gear.....	1
29.	102018-00	Gear.....	1
30.	102019-00	Gear.....	1
31.	102001-00-11	Ball Bearing #6004.....	3
32.	102001-00-12	Snap Ring STW20.....	4
33.	102020-00	Gear.....	1
34.	102001-00-13	Key 6X6X20L.....	2
35.	102021-00	G-Shaft.....	1
36.	102001-00-14	Ball Bearing #6003.....	1
37.	102022-00	Cap.....	1
38.	102001-00-15	Socket Head Cap Screw M6XP1.0X12L.....	6
39.	102001-00-16	O-Ring P36.....	2
40.	102023-00	E-Shaft.....	1
41.	102024-00	Gear.....	1
42.	102001-00-17	Ball Bearing #6203.....	2
43.	102025-00	D-Shaft.....	1
44.	102001-00-18	Key 6X6X146L.....	1
45.	102026-00	Gear.....	1
46.	102027-00	Gear.....	1
47.	102028-00	Gear.....	1
48.	102029-00	Gear.....	1
49.	102030-00	Gear.....	1
50.	102031-00	Gear.....	1
51.	102032-00	Gear.....	1
52.	102033-00	Gear.....	1
53.	102034-00	Gear.....	1
54.	102035-00	Gear.....	1
55.	102036-00	Gear.....	1
56.	102037-00	Gear.....	1
57.	102038-01	Gear.....	1
58.	102039-00	F-Shaft.....	1
59.	102001-00-19	Snap Ring STW18.....	2
60.	102001-00-20	Thrust Bearing #51104.....	2
61.	102040-00	Cap.....	1

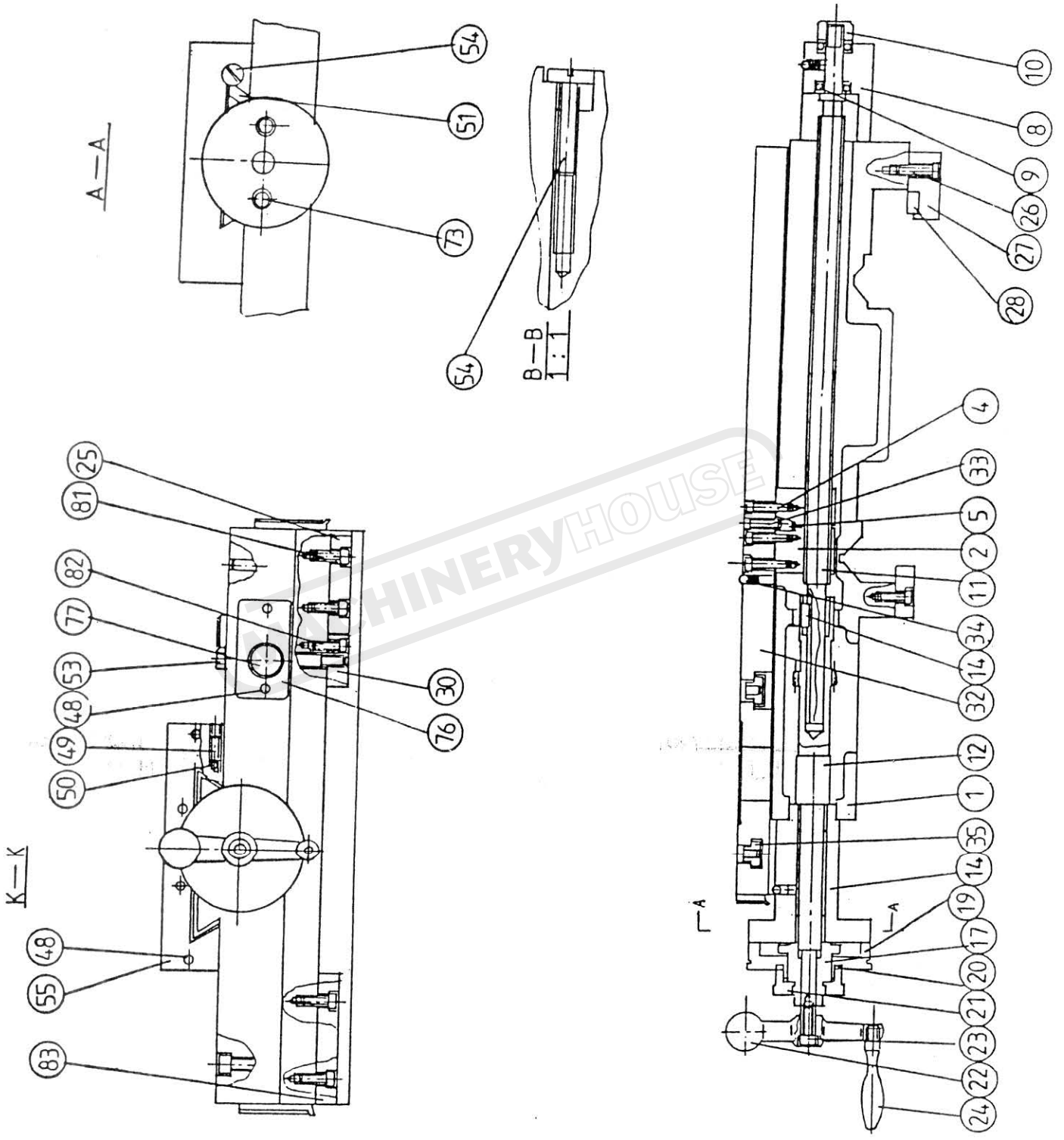
Ref. No.	Parts No.	Description	No OFF/MC
62.	102001-00-21	Ball Bearing #6004DV.....	3
63.	102041-00	C-Shaft.....	1
64.	102042-01	Gear.....	1
65.	102043-00	Clutch.....	1
66.	102001-00-22	Key 4X4X20L.....	2
67.	102001-00-23	Ball Bearing #6005.....	2
68.	102044-00	A-Shaft.....	1
69.	102045-00	Gear.....	1
70.	102046-00	Gear.....	1
71.	102048-00	Gear.....	1
72.	C6251A-05-04	B-Shaft.....	1
73.	102047-00	Clutch.....	1
74.	102050-00	Cap.....	1
75.	102073-00	Fork.....	3
76.	102001-00-24	Ball Bearing #6004.....	1
77.	C6251A-05-05	Spacer.....	1
78.	102001-00-25	Spring Pin 05X30L.....	1
79.	102060-00	Gear-Drive Bevel.....	1
80.	102065-00	Hub.....	3
81.	102055-01	Shaft.....	1
82.	102062-02	Spacer.....	1
83.	102058-00	Detent Plate.....	1
84.	102001-00-26	O-Ring P26.....	1
85.	102001-00-27	O-Ring P12.....	1
86.	102063-00	Selecting Dial.....	1
87.	102001-00-28	Steel Ball.....	4
88.	102001-00-29	Spring.....	1
89.	102001-00-30	Socket Set Screw M8XP1.25X8L.....	1
90.	102053-00	Wheel.....	1
91.	33-3009-00	Washer.....	1
92.	102001-00-30	Socket Set Screw M6XP1.0X20L.....	1
93.	33-3009-01	Screw.....	1
94.	102001-00-31	Key 5X5X25L.....	1
95.	102001-00-32	Plate.....	1
96.	102001-00-33	Socket Set Screw M8XP1.25X35L.....	1
97.	102001-00-34	Socket Set Screw M8XP1.25X25L.....	3
98.	102001-00-35	Spring.....	3
99.	102071-00	Detent Plate.....	1
99.	102074-00	Detent Plate.....	1
99.	102075-00	Detent Plate.....	1
100.	102066-00	Arm.....	1
100.	102067-00	Arm.....	1
100.	102068-00	Arm.....	1
101.	102077-00	Shaft.....	1
102.	102069-00	Fork.....	1
102.	102069-01	Fork.....	1
102.	102070-01	Fork.....	1
103.	102088-00	Socket Cap Screw M8XP1.25X20L.....	3
104.	33-3009-00	Washer.....	3
105.	102001-00-37	Key 5X5X15L.....	3
106.	102001-00-38	O-Ring P16.....	3
107.	102001-00-39	O-Ring P30.....	4
108.	102001-00-40	Socket Head Cap Screw M8XP1.25X10L.....	7
109.	102001-00-41	Cross Recessed Head Screw M3XP0.5.....	4
111.	102001-00-42	Plate.....	3
112.	102001-00-43	Plate.....	1
113.	102001-00-44	Oil Sight Glass.....	1
114.	102001-00-45	Plate.....	1
115.	102001-00-46	Plate.....	1
116.	102001-00-47	Cross Recessed Head Screw M3XP0.5.....	4
117.	102001-00-48	Oil-Seal TC 20X40X8.....	1

Ref. No.	Parts No.	Description	No.
118.	102001-49	Knob.....	1
119.	102072-00	Shaft.....	3
120.	102001-50	Pin.....	5
121.	102056-01	Lever.....	3
122.	102001-51	Screw.....	6
123.	102001-52	Screw.....	1
124.	102062-03	Spacer.....	1
126.	102001-54	Screw.....	1
127.	102001-55	Drain Plug.....	1
128.	C6251A-05-06	Top Cover.....	1

MACHINERYHOUSE





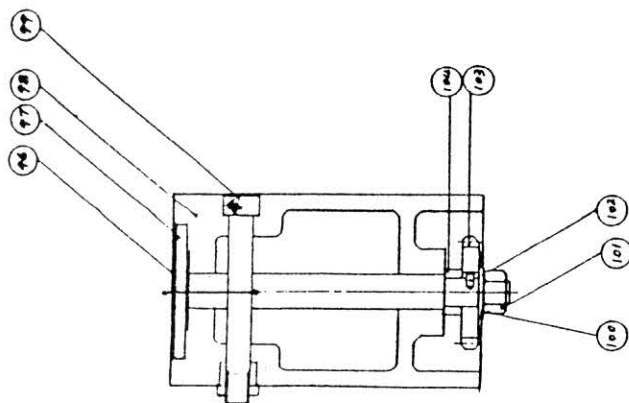
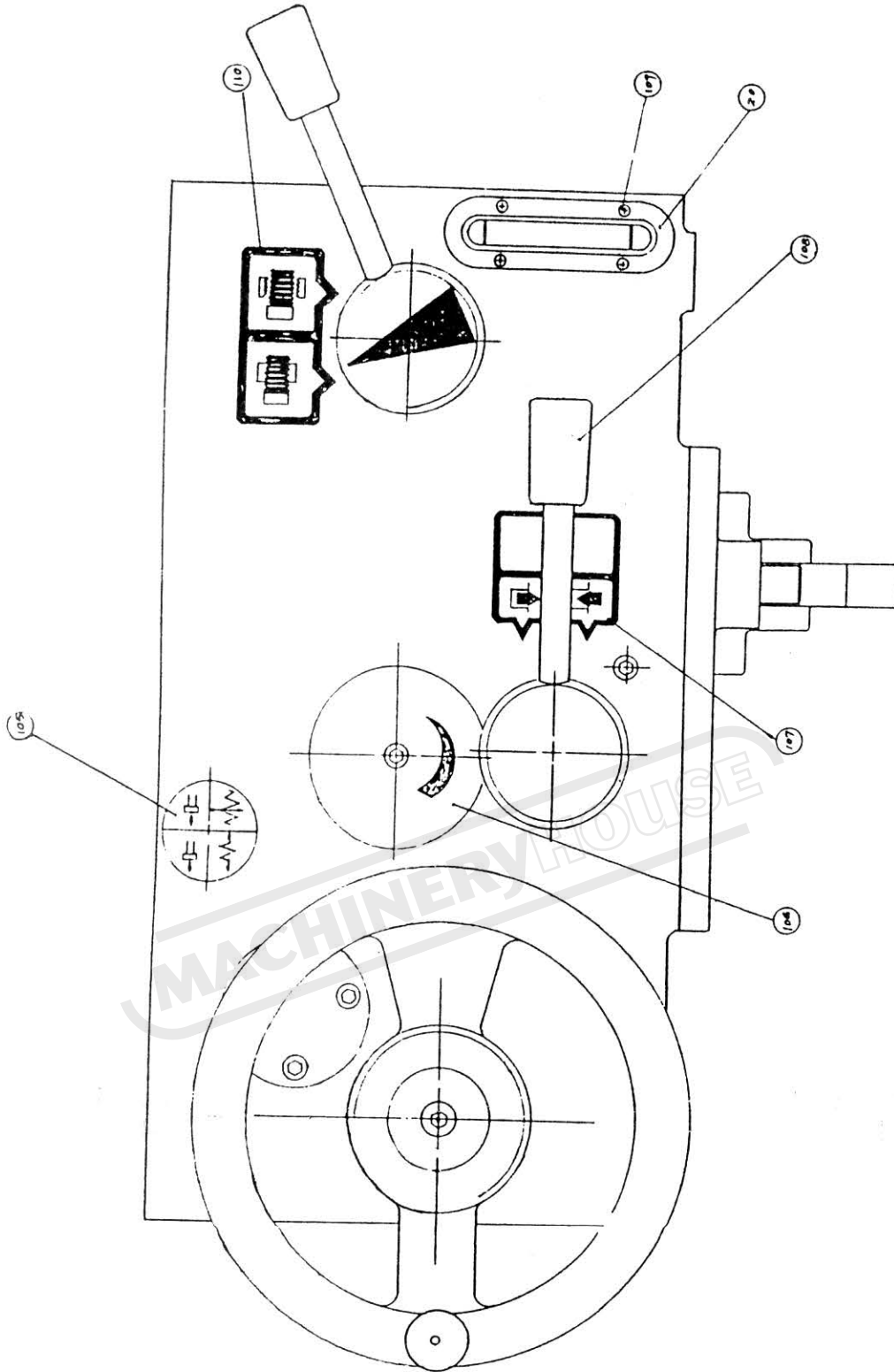


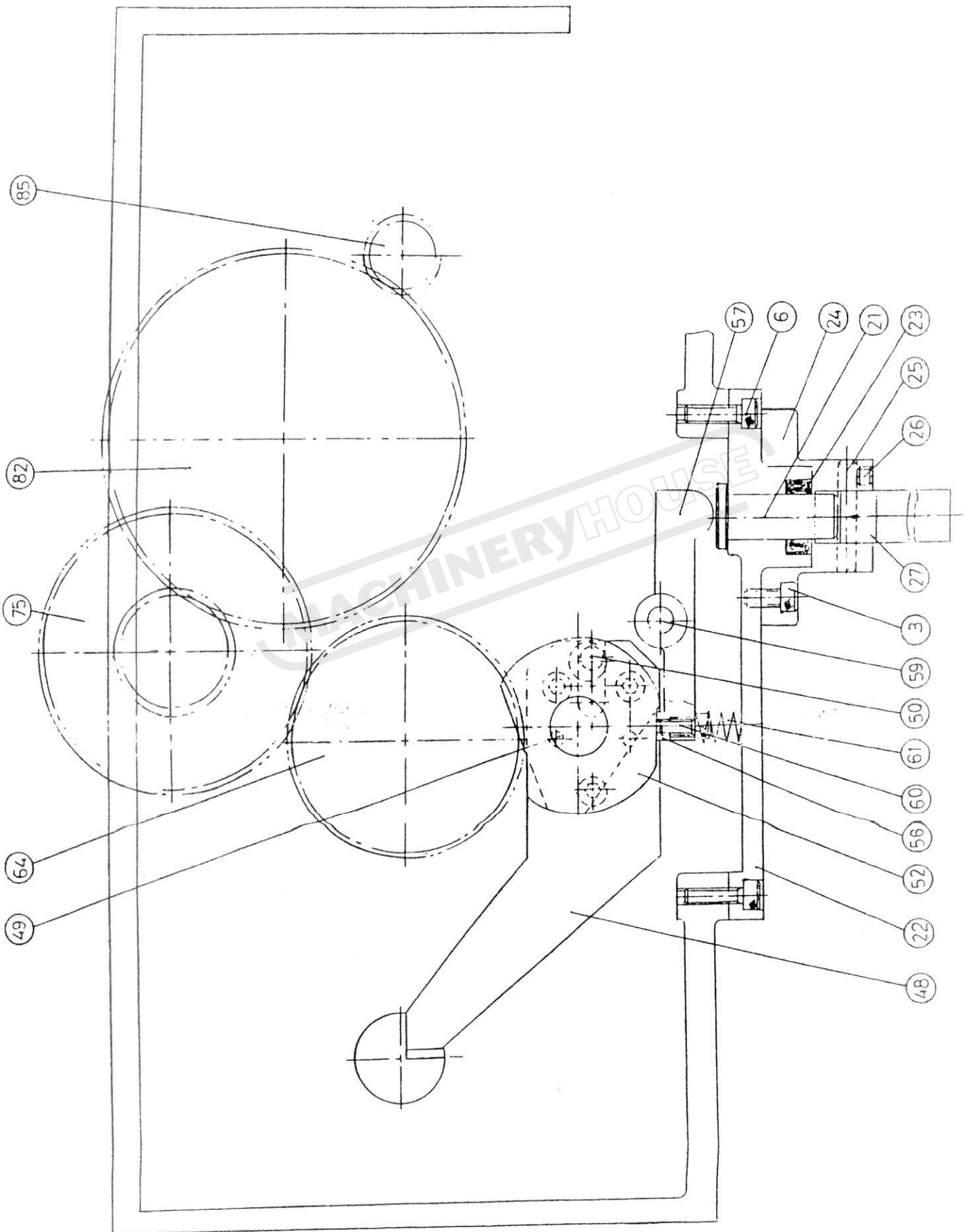
No.	Part No.	Name	Specification	Qty.
1	C6251A-07-01	Saddle		1
2	RUN6246-103003	Cross Feed Nut(Metric)		1
2	RUN6246-103003y	Cross Feed Nut(Inch)		1
4	GB70-85	Screw	M6×35	3
5	RUN6246-103004	Gib		1
6				
7	RUN6246-103048	Handle		1
8	RUN6246-103007	Bracket		1
9	GB301-84	Bearing	8101	2
10	RUN6246-103007-1	Clamp Nut		1
11	C6251A-07-21	Cross Feed Screw (Metric)		1
11	C6251A-07-21y	Cross Feed Screw (Inch)		1
12	C6251A-07-22	Cross Feed Pinion		1
13	GB70-85	Screw	M6×10	1
14	C6251A-07-22-2	Flat Key		1
15	RUN6246-103049	Handle		1
16	GB77-85	Screw	M6×5	1
17	RUN6246-103026	Clutch Dial		1
18	GB77-85	Screw	M6×8	1
19	RUN6246-103027	Cross Feed Dial		1
20	RUN6246-103025	Wave Type Washer		1
21	RUN6246-103028	Nut		1
22	RUN6246-103029	Handle		1
23	GB70-85	Screw	M8×16	3
24	RUN6246-103030A	Handle		1
25	C6251A-07-18	Gib-left-front		1
26	GB70-85	Screw	M8×30	4
27	C6251A-07-16	Holder Gib		1
28	C6251A-07-15	Gib		1
14	C6251A-07-23	Bracket		1
30	RUN6246-103019	Clamp-Carriage		1
37	GB70-85	Screw	M10×40	2
32	C6251A-07-02	Cover-Cross Sliding		1
33	GB79-85	Screw	M8×30	1
34	GB1155-79	Ball Cup	6	6
35	RUN6246-103040	Nut		3
36	C6251A-07-41	Swivel Table		1
36	C6256A-07-41	Swivel Table		1
37	GB70-85	Screw	M10×55	1
38	C6251A-07-50	Compound Rest		1
39	C6251A-07-45	Four Way Tool Post		1
40	GB83-88	Screw	M12×55	12
41	RUN6246-103060	Washer		1
42	RUN6246-103061	Clamping Handle		1
43	RUN6246-103062	Clamping Handle		1
44	RUN6246-103051	Gib		1
45	C6251A-07-12	Wiper		1

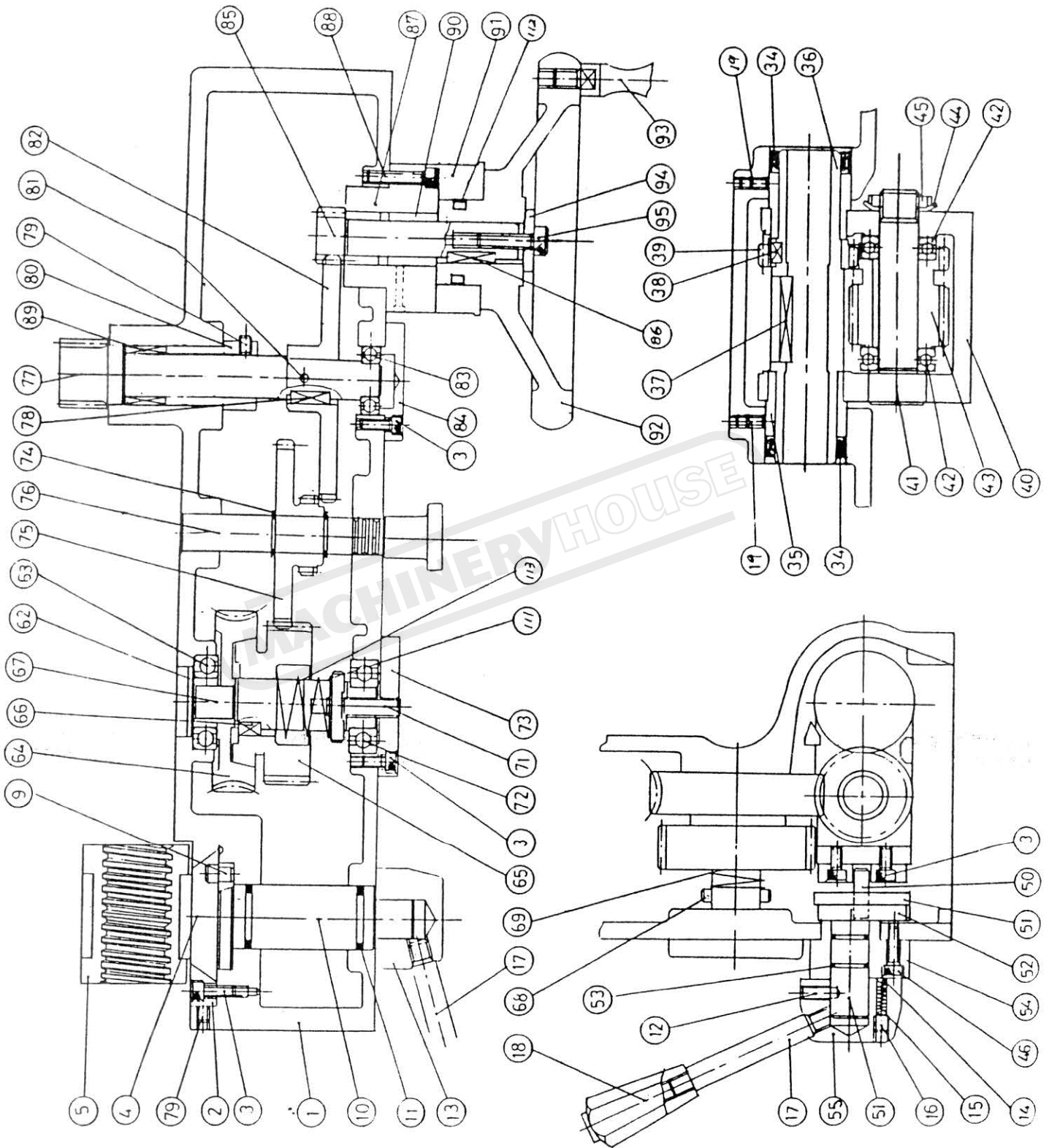
No.	Part No.	Name	Specification	Qty.
45	C6251A-07-13	Case-Wiper		2
53	RUN6246-103077	Screw		1
48	GB818-85	Screw	M4×12	12
49	GB80-85	Screw	M8×10	1
50	GB308-84	Ball	6	1
51	C6251A-07-35	Gib		1
52	C6251A-07-08	Wiper		1
52	C6251A-07-09	Wiper		1
52	C6251A-07-10	Case-Wiper		2
52	C6251A-07-11	Wiper		1
53	RUN6246-103031	Plug		1
54	RUN6246-103036	Screw		2
54	RUN6246-103037	Screw		1
55	C6251A-07-39	Case-Wiper		1
56	C6251A-07-38	Wiper		2
58	RUN103044-1	Nut		5
59	GB301-84	Thrust Bearing	8102	2
60	GB80-85	Screw	M6×10	1
61	RUN103047	Nut		1
62	RUN6246-103047-1	Wave Type Washer	8×40	1
63	RUN6246-103046-1	Dial-Compound Rest		1
64	RUN6246-103045	Collar		1
65	RUN6246-103044	Seat Compound Rest Screw		1
66	RUN6246-103043-1	Nut		1
67	RUN6246-103043	Screw-Compound Rest		1
68	C6251A-07-42	Tool Post Shaft	30×2.4	1
69	RUN6246-103053	Block-Tee		1
70	RUN6246-103057-2	Botton		1
71	RUN6246-103056-1	Sleeve		1
72	GB2089-80	Spring	1×5×18	1
73	GB70-85	Screw	M6×20	2
76	RUN6246-103068	Plate		1
76	GB68-85	Screw	M5×20	2
77	RUN6246-103064	Body Pump		1
77	RUN6246-103065	Spring		3
77	RUN6246-103066	Stopper		1
77	RUN6246-103067	Plug		1
78	GB70-85	Screw	M10×60	4
79	GB118-86	Taper Pin	8×60	2
80	GB70-85	Screw	M8×20	2
81	GB70-85	Screw	M8×25	4
82	GB70-85	Screw	M6×20	1
83	C6251A-07-20	Gib-Front		1
84	GB818-85	Screw	M4×12	4
85	C6251A-07-44	Case-Wiper		1
86	C6251A-07-43	Wiper		1
87	RUN6246-103058-1	Blacket		1
88	RUN6246-103058-2	Screw		1

No.	Part No.	Name	Specification	Qty.
89	GB77-85	Screw	M8×40	1
90	RUN6246-103052	Screw		1
91	RUN6246-103052-1	Pin		1
92	GB119-85	Pin	D6×60	3
93	GB77-86	Screw	M8×10	3
94	GB301-84	Thrust Bearing	8104	1

MACHINERYHOUSE



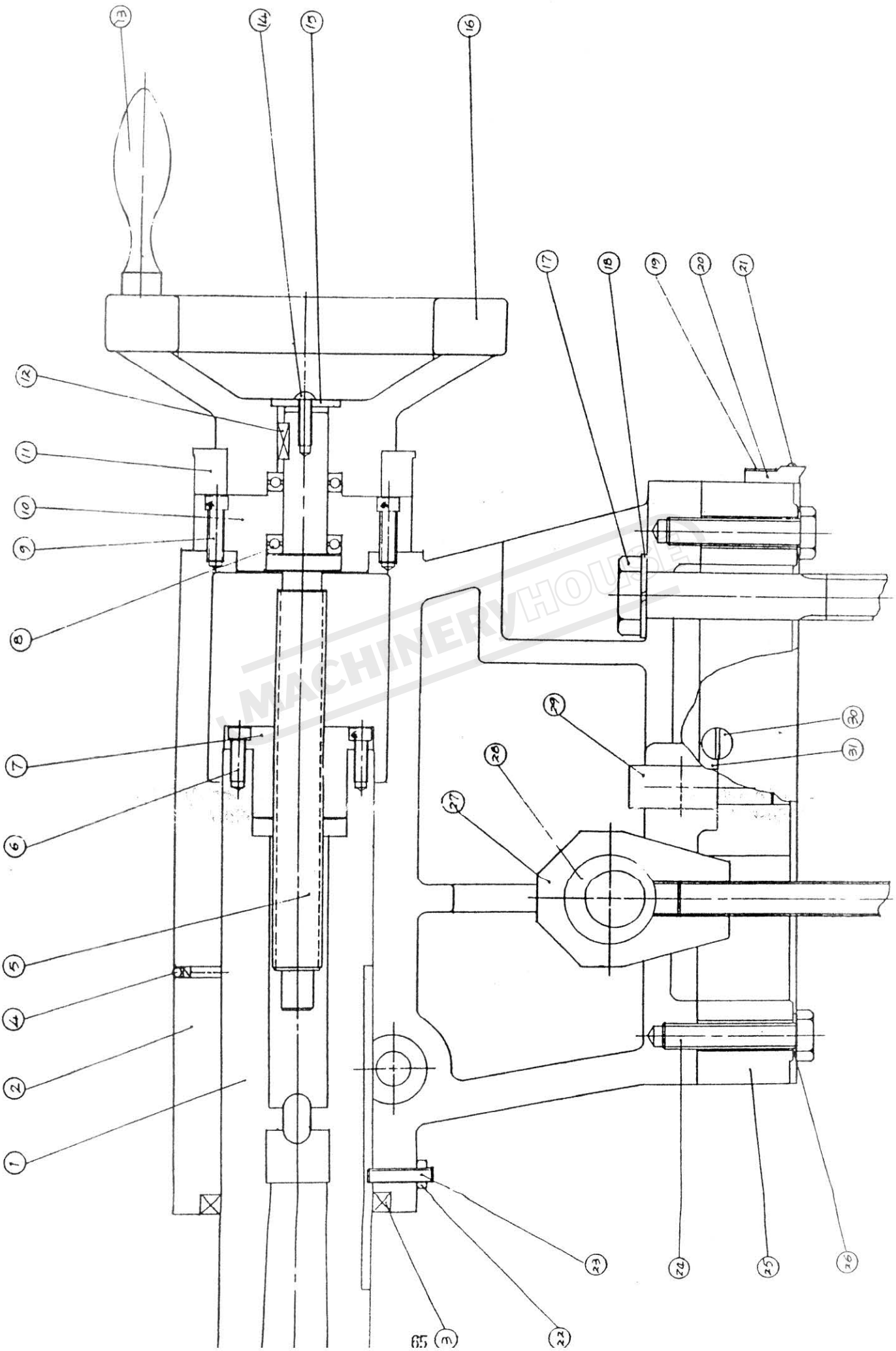


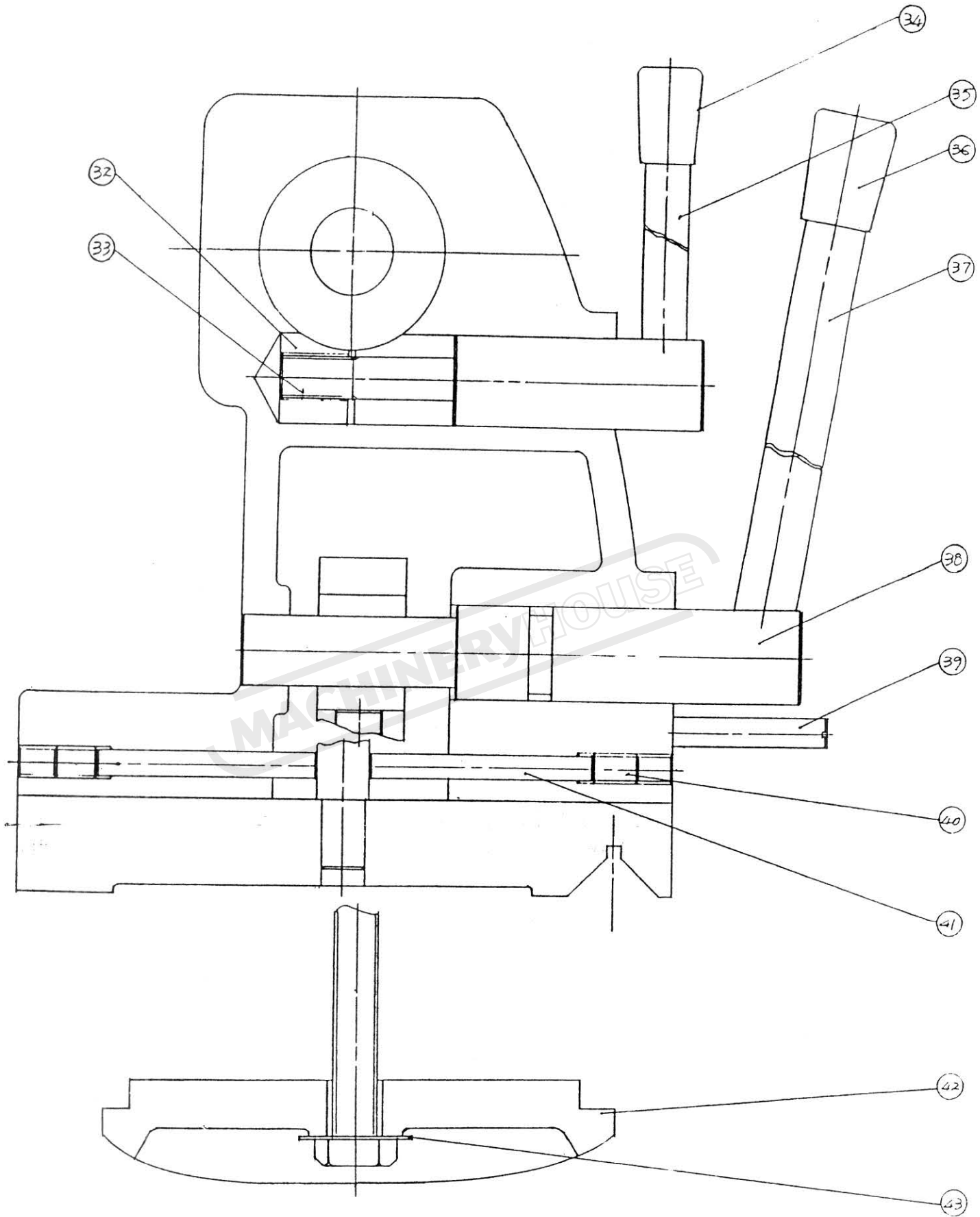


APRON

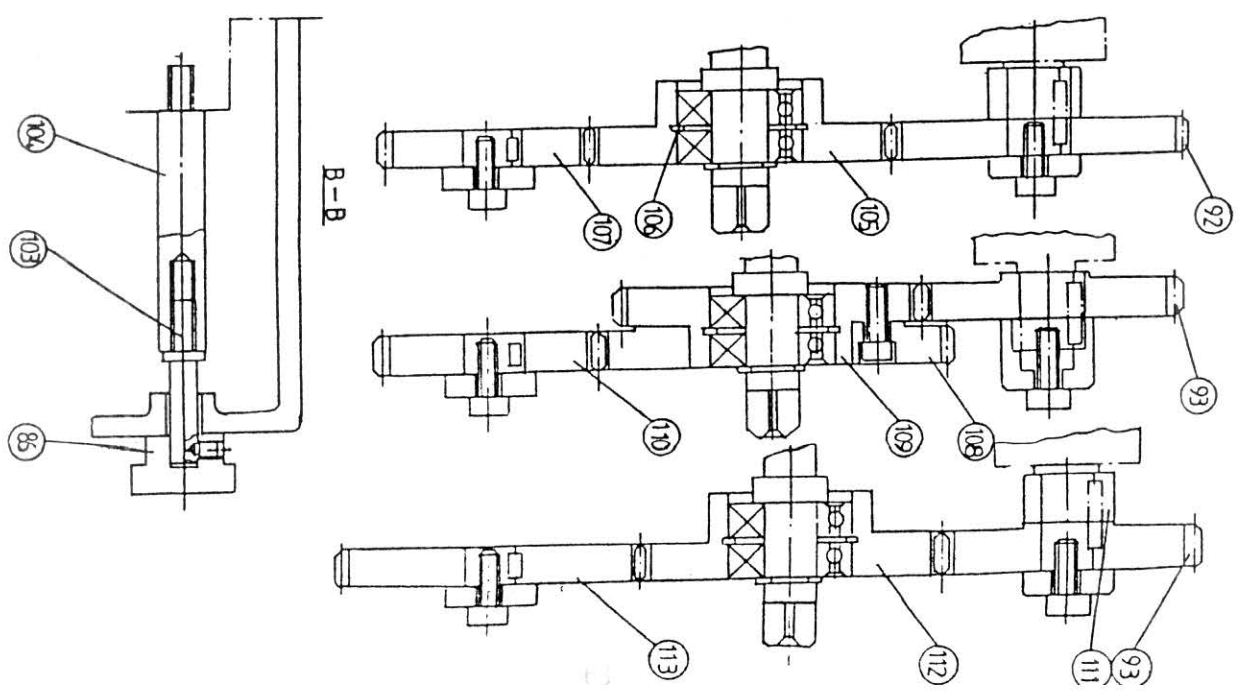
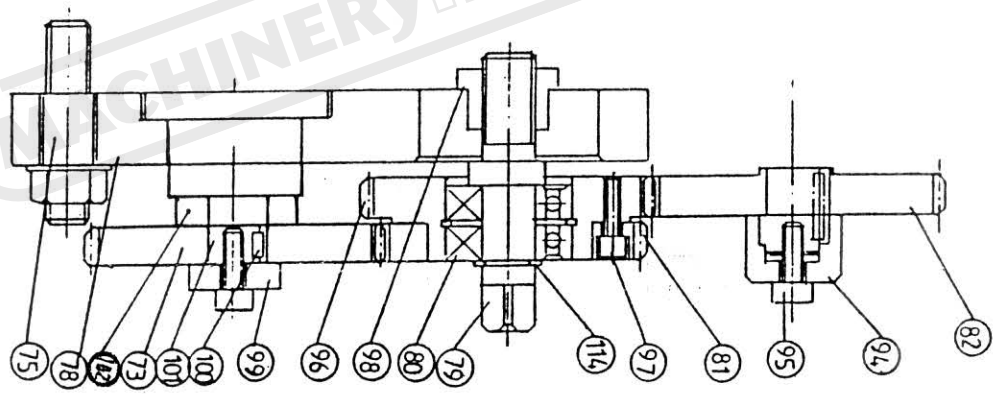
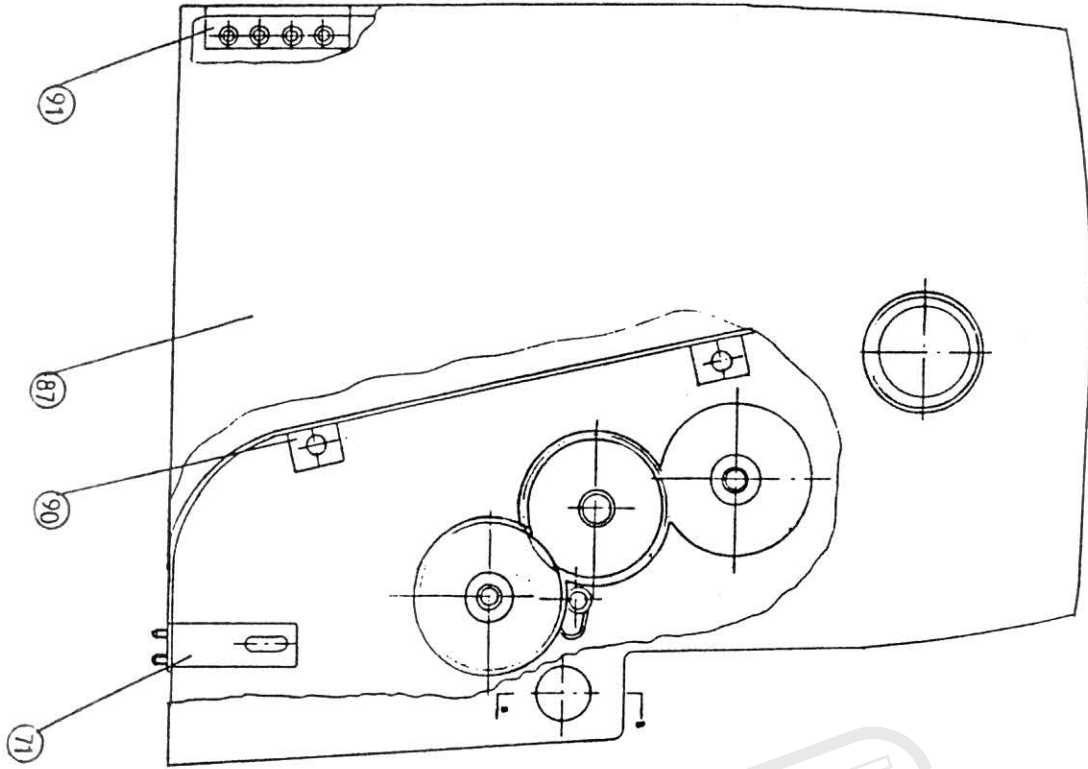
Ref. No.	Parts No.	Description	No. OFF/MC
1	104001-01	Apron (Right Hand).....	1
1.	104001-02	Apron (Left Hand).....	1
2.	104002-00	Gib.....	1
3.	104001-00-01	Socket Head Cap Screw (M6XP1.0X12L)..	12
4.	104003-01	Lead Nut Assy (Right Hand).....	1
4.	104003-02	Lead Nut Assy (Left Hand).....	1
5.	C6251A-06-01	Haft Nut (Metric).....	1
5.	104004-02	Haft Nut (Inch).....	1
6.	104001-00-02	Socket Head Cap Screw (M6XP1.0X16L)..	8
7.	104001-00-03	Socket Head Cap Screw (M6XP1.0X14L)..	1
8.	104001-00-04	Socket Head Cap Screw (M6XP1.0X10L)..	1
9.	104005-00	Key.....	2
10.	104006-01	Shaft (Right Hand).....	1
10.	104006-02	Shaft (Left Hand).....	1
11.	104001-00-05	O-Ring P26.....	2
12.	104001-00-06	Socket Head Set Screw (M8XP1.25X8L)..	2
13.	104007-00	Lever Head.....	1
14.	104001-00-07	Steel Ball (0 1/4").....	2
15.	104001-00-08	Spring (06X0.8X20L).....	2
16.	104001-00-09	Socket Head Set Screw (M8XP1.25X8L)..	2
17.	104008-00	Lever.....	2
18.	104001-00-01	Knob.....	2
19.	104001-00-11	Socket Head Set Screw (M4XP0.75X10L)..	4
20.	104001-00-12	Oil Sight.....	1
21.	104010-00	Pin.....	1
22.	104011-00	Bottom Cover.....	1
23.	104001-00-13	Oil Seal TC 15X25X7.....	1
24.	104012-00	Bracket.....	1
25.	104013-00	Pin.....	1
26.	104001-00-14	Socket Head Set Screw (M6XP1.0X6L)..	1
27.	104014-00	Lever.....	1
28.	104001-00-15	Nut (M8XP1.25).....	1
29.	104001-00-16	Socket Head Set Screw (M8XP1.25X40L)..	1
30.	104001-00-17	Socket Head Set Screw (M6XP1.0X40L)..	1
31.	104001-00-18	O-Ring P6.....	1
32.	104001-00-19	Nut (M6XP1.0).....	1
33.	104001-00-20	Drain Plug.....	1
34.	104001-00-21	Oil Seal TC 32X42X10.....	2
35.	104015-00	Bushing.....	2
36.	104016-00	Sleeve-feed Rod.....	1
37.	104001-00-22	Key 6X10X45L.....	1
38.	104001-00-23	Key 6X6X12L.....	1
39.	104017-00	Gear.....	1
40.	104018-01	Seat-Worm.....	1
40.	104018-02	Seat-Worm.....	1
41.	104019-00	Shaft.....	1
42.	104001-00-24	Thrust Bearing (#2904).....	2
43.	104020-00	Worm Gear.....	1
44.	104001-00-25	Washer-Lock 020.....	1
45.	104021-00	Nut.....	1
46.	104001-00-26	Socket Head Cap Screw (M6XP1.0X20L)..	1
47.	104022-01	Spring (Right Hand).....	1
47.	104022-02	Spring (Left Hand).....	1
48.	104023-01	Safe device block (Right Hand).....	1
48.	104023-02	Safe device block (Left Hand).....	1
49.	104001-00-27	Pin.....	1
50.	104001-00-28	Pin.....	1
51.	104026-01	Shaft (Right Hand).....	1
51.	104026-02	Shaft (Left Hand).....	1
52.	104027-00	Collar.....	1
53.	104001-00-29	O-Ring P16.....	1
54.	104028-00	Cover.....	1

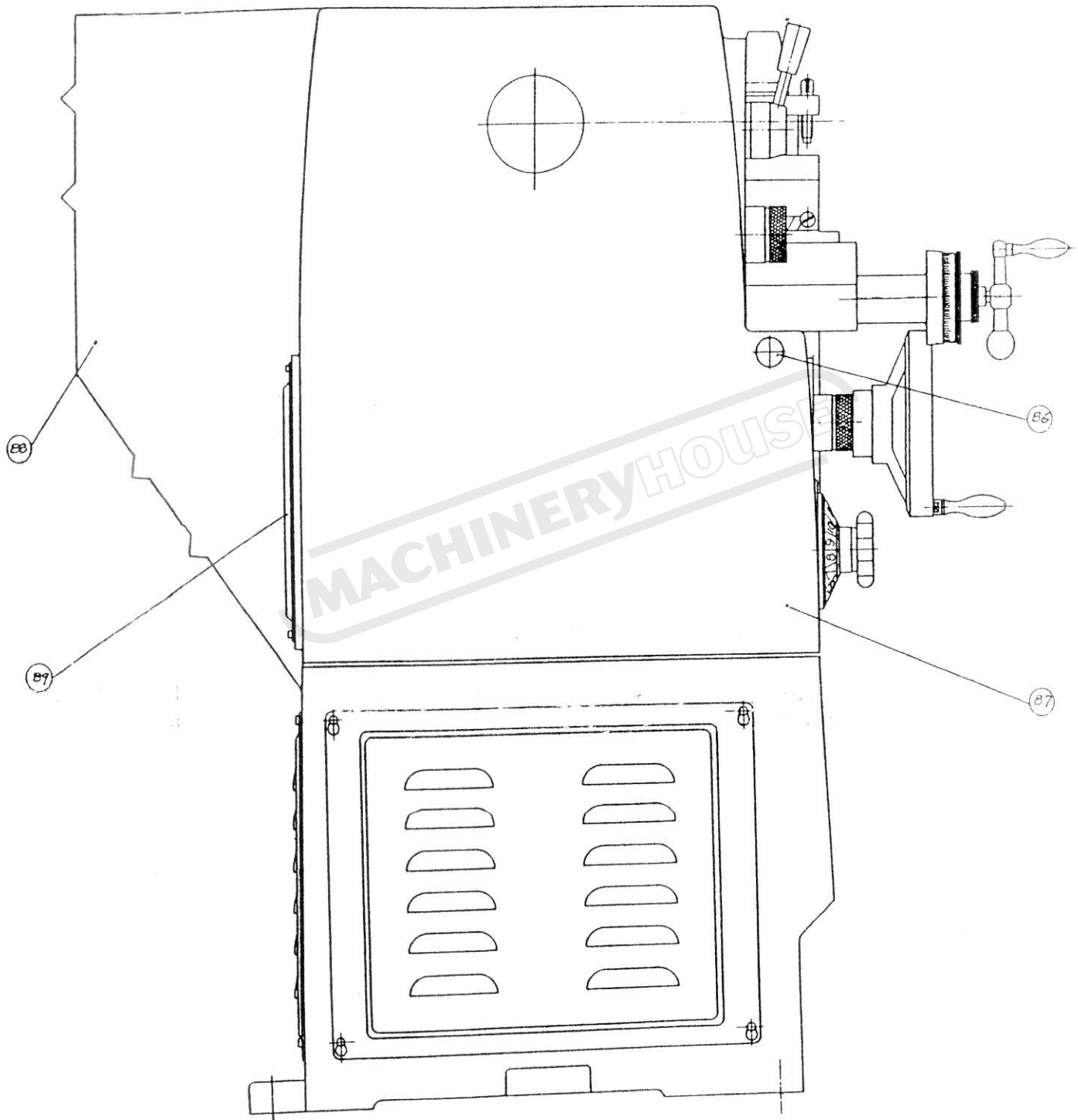
APRON			
Ref. No.	Parts No.	Description	NO. OFF/MC
55.	104029-01	Hub.....	1
55.	104029-02	Hub.....	1
56.	104001-00-30	Spring Washer.....	1
57.	104030-00	Lever.....	1
58.	104001-00-31	Nut (M12XP1.25).....	1
59.	104031-00	Screw.....	1
60.	104001-00-32	Socket Head Set Screw (M5XP0.8X8L)....	1
61.	104032-00	Spring.....	1
62.	104033-00	Cover.....	1
63.	104001-00-33	Ball Bearing #6005.....	1
64.	104034-00	Worm Gear.....	1
65.	104035-00	Gear.....	1
66.	104001-00-34	Key (7X7x12L).....	1
67.	104036-00	Shaft.....	1
68.	101037-00	Pin.....	1
69.	104038-00	Spring.....	1
70.	104039-00	Spacer.....	1
71.	104001-00-35	Socket Head Set Screw (M10XP1.5X30L)...	1
72.	104001-00-36	Ball Bearing #6204.....	1
73.	104040-00	Cover.....	1
74.	104001-00-37	External Circlip.....	2
75.	104041-00	Gear.....	1
76.	104042-00	Shaft.....	1
78.	104001-00-38	Key 6X6X20L.....	1
79.	104001-00-39	Socket Head Set Screw (M6XP1.0X8L)....	1
80.	104048-00	Spacer.....	1
81.	104001-00-40	Pin (05x35L).....	1
82.	104049-00	Gear.....	1
83.	104001-00-40	Ball Bearing #6003.....	1
84.	104050-00	Cover.....	1
85.	104051-00	Shaft.....	1
86.	104001-00-41	Key (6X6X25L).....	1
87.	104052-00	Seat.....	1
88.	104001-00-42	Socket Head Set Screw (M6XP1.0X25L)...	1
89.	104053-00	Needle Bearing 20X22X30.....	1
90.	104052-01	Bushing.....	2
91.	104054-01	Dial-Rack (Metric).....	1
91.	104054-02	Dial-Rack (Inch).....	1
92.	104055-00	Hand Wheel.....	1
93.	104056-00	Handle.....	1
94.	104057-00	Washer.....	1
95.	104001-00-43	Socket Head Cap Screw (M8XP1.25X16L)...	1
96.	104001-00-44	Dial Plate.....	1
97.	104059-00	Dial Indicator Shaft.....	1
98.	104058-00	Thread Dial Body.....	1
99.	104001-00-45	Socket Head Cap Screw (M8XP1.25X70L)...	1
100.	104001-00-46	Washer.....	1
101.	104001-00-47	Nut W3/8"-16UNC.....	1
102.	104001-00-48	Pin 03X4L.....	1
103.	104060-00	Gear (Metric) 11T.....	1
103.	104061-00	Gear (Metric) 13T.....	1
103.	104062-00	Gear (Metric) 14T.....	1
103.	104063-00	Gear (Metric) 15T.....	1
103.	104064-00	Gear (Inch) 16T.....	1
103.	104065-00	Gear (Metric) 18T.....	1
104.	104046-00	Spacer.....	1
105.	104001-00-49	Plate.....	1
106.	104001-00-50	Plate.....	1
107.	104001-00-51	Plate.....	1
108.	104001-00-52	Knob.....	1
109.	104001-00-53	Screw.....	1
110.	104001-00-54	Plate.....	1
111.	104039-00	Spacer.....	1
112.	104001-00-55	Spring Leaf.....	2

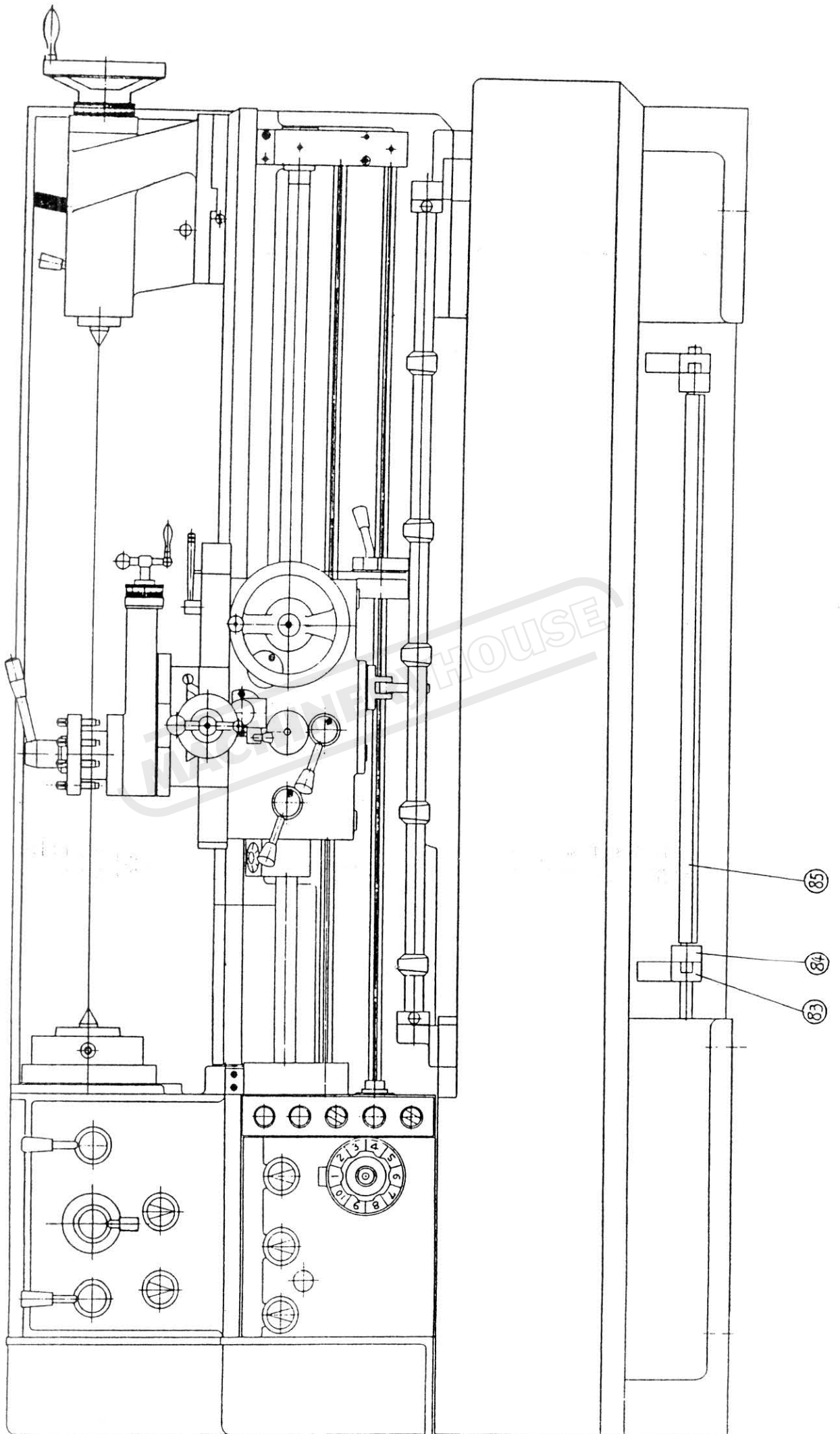


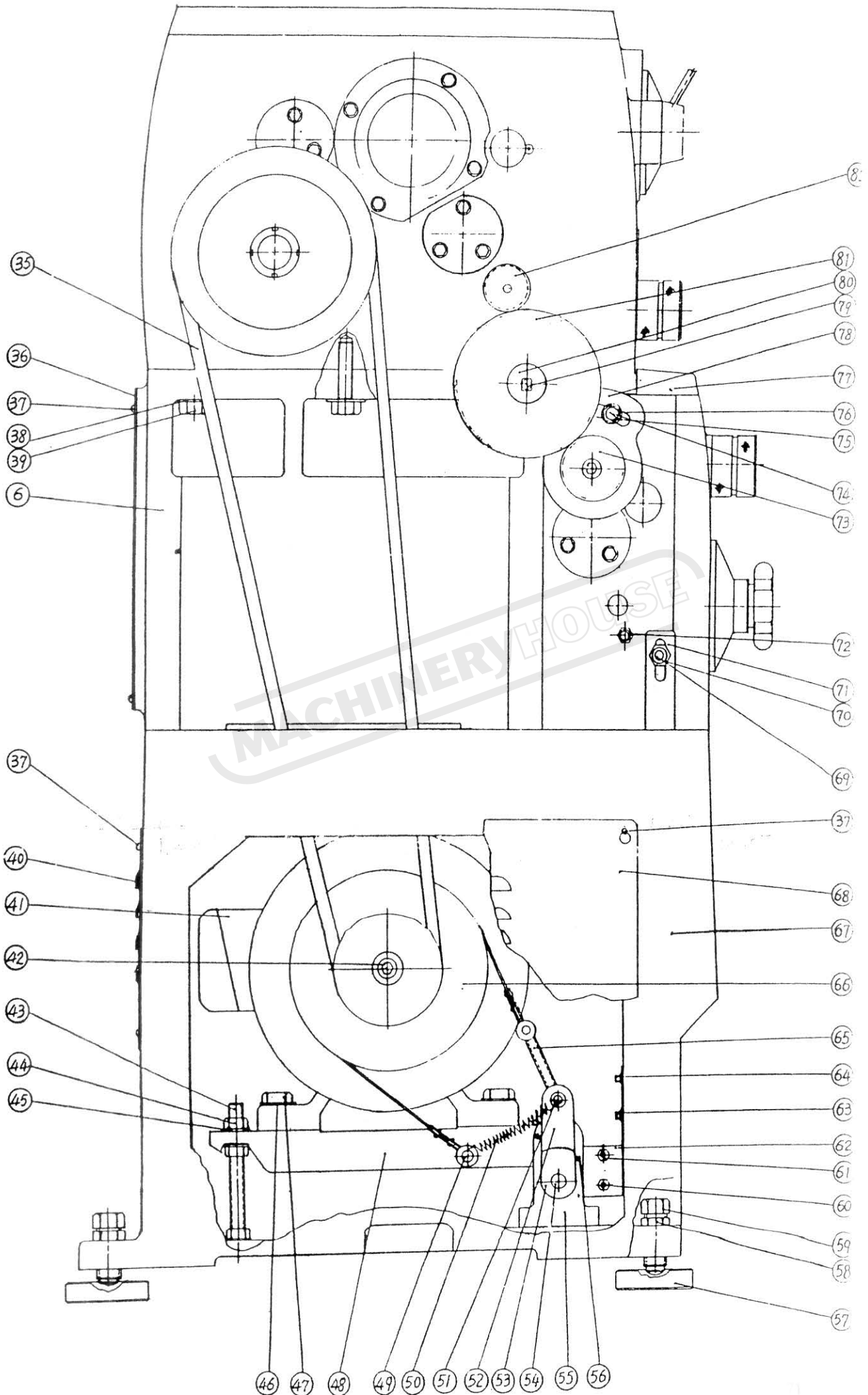


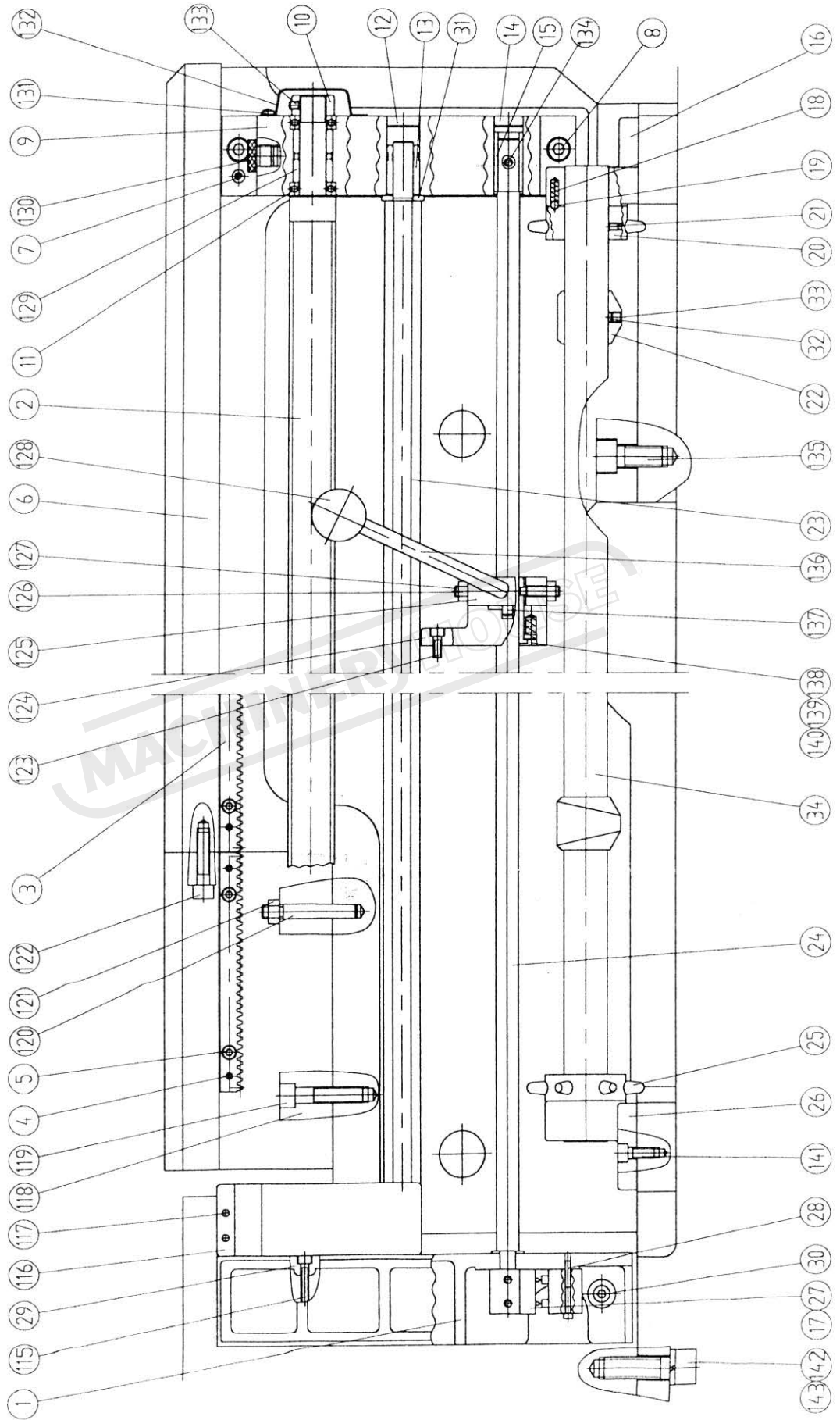
No.	Part No.	Name	Specification	Qty.
1	C6246B-105003	Tailstock Sleeve		1
2	C6251A-08-01	Tailstock Body		1
3	HG4-692-67	Oil-Seal	PD75×95×12	1
4	GB1155-79	Oil cup	10	2
5	C6251A-08A-01	Feed Screw		1
6	GB70-85	Screw	M6×16	4
7	C6246B-105005	Feed Nut		1
8	GB301-84	Thrust Bearing	8105	2
9	GB70-85	Screw	M6×16	3
10	C6246B-105006	Cap-Body End		1
11	C6246B-105009	Dial-Feed		1
12	GB1096-79	Flat Key	6×20	1
13	RUN6246-104056A	Handle		1
14	RUN6246-101088	Screw		1
14	GB80-85	Screw	M5×25	1
15	C6246B-105011	Washer		1
16	C6246B-105010	Handle Wheel		1
17	GB56-88	Nut	M20	1
18	GB95-85	Washer	20	1
19	C6251A-08-07	Case-Wiper		2
20	C6251A-08-06	Wiper		2
21	GB818-85	Screw	M4×12	4
22	GB80-85	Screw	M6×12	2
23	C6246B-105030	Pin Shaft		1
24	GB5782-86	Screw	M12×70	2
25	C6251A-08-02	Bottom Tailstock		1
25	C6256A-08-02	Bottom Tailstock		1
26	GB95-85	Washer	12	2
27	RUN6246-105018	Bolt-Clamp		1
28	RUN6246-105028	Sleeve		1
29	RUN6246-105017	Block-Adjusting		1
30	RUN6246-105020	Screw		1
31	C6246B-105012	Taper Gib Strip		1
32	C6246B-105021	Block Clamp		1
33	C6251A-08-05	Shaft		1
34	B-M10	Lever Sleeve	M10	1
35	RUN6246-105004	Lever		1
36	B-M12	Lever Sleeve	M12	1
37	RUN6246-105006	Lever		1
38	C6251A-08-04	Shaft		1
39	RUN6246-105007	Screw		1
40	GB80-85	Screw	M16×30	2
41	GB119-86	Pin Shaft	12×80	2
42	C6251A-08-03	Clamping Handle		1
43	GB5782-86	Screw	M20×100	1
43	GB95-86	Washer	20	1











No.	Part No.	Name	Specification	Qty.
1	RUN6246-106016	Seat-Switch		1
2	C6251A-01-16	Lead Screw		1
3	C6251A-01-05	Rack		1
4	GB879-86	Spring Pin	5×30	11
5	GB70-85	Screw	M6×25	10
6	C6251A-01-01	Bed		1
7	GB118-86	Taper Pin	10×45	2
8	GB70-85	Screw	M10×40	2
9	C6251A-01-07	Bracket		1
10	C6251A-01-04	Nut		1
11	GB301-84	Thrust Bearing	8105	2
12	RUN6246-106010-1	Plug		1
13	RUN6246-106008	Bush		1
14	RUN6246-106010-02	Plug		1
15	RUN6246-106014	Bush		1
16	C6251A-01-22	Bracket		1
17	GB70-85	Screw	M6×20	2
18	Q81-1	Spring	1×5×25	1
19	GB308-84	Ball	6	1
20	RUN6246-106019-2	Star Type Ring		1
21	GB80-85	Screw	M6×8	2
22	RUN6246-106020	Cam		1
23	C6251A-01-08	Feed Rod		1
24	C6251A-01-09	Started Rod		1
25	RUN6246-106019-1	Star Type Ring		1
26	C6251A-01-21	Bracket		1
27	CM6233-2055	Cam		1
28	GB70-85	Screw	M4×40	2
29	RUN6141-106018	Seat-Pilot Light		1
30	GB70-85	Screw	M8×25	2
31	RUN6246-106010-07	Spacer		1
32	RUN6246-106020-1	Shoe Clamp		1
33	GB80-85	Screw	M8×6	4
34	C6251A-01-10	Auto Stopping Rod		1
35	GB1171-74	Belt	B76(60Hz)	1
36	GB1171-74	Belt	B77(50Hz)	1
37	GB818-85	Cross Recessed Head Screw	M6×8	12
38	GB93-86	Washer	16	2
39	GB70-85	Bolt	M16×55	2
40	RUN6246-106028-1	Cover Motor Seat		1
41	Y132M-4	Motor	7.5kw	1
42	GB70-85	Screw	M8×55	1
43	RUN106046	Screw		2
44	GB6170-86	Nut	M16	6
45	RUN6246-106079	Washer		4
46	GB97.1-86	Washer	10	4
47	GB5782-86	Bolt	M10×35	4
48	RUN6246-106034	Motor Seat		1
49	RUN6246-106050	Shaft		1
50	Q81-3	Spring	3×6×115	1

No.	Part No.	Name	Specification	Qty.
51	RUN6246-106039	Shaft		1
52	RUN6246-106040	Arm Brake		1
53	RUN6246-106037	Cam		1
54	RUN6246-106045	Shaft		1
55	RUN6246-106041	Bracket-Motor Seat		1
56	LXW5-11G1	Limited Switch		1
57	RUN6246-106069	Block-Leveling		10
58	GB6172-86	Nut	M24×2	10
59	RUN6246-106029	Bolt		10
60	GB70-85	Screw	M5×10	2
61	GB6172-86	Nut	M5	2
62	RUN6246-106091	Limited Switch Seat		1
63	GB70-85	Screw	M5×10	2
64	GB6172-86	Nut	M5	2
65	RUN6246-106047	Belt-Brake		1
66	RUN6246-106048	Belt Pully	50Hz	1
66	RUN6246-106048a	Belt Pully	60Hz	1
67	C6251A-01-03	Stand		1
68	C6251A-01-11	Cover Motor Seat		1
69	LXW5-11M	Limited Switch		1
70	LXW5-11M	Nut		1
71	RUN6246-106078	Limited Switch Seat		1
72	RUN6246-106082	Bolt		1
73	C6251A-05-07	Gear		1
73	C6256A-05-07	Gear		1
74	GB6170-86	Nut	M16	1
75	RUN6246-108063	Bolt		1
76	RUN6141-108017	Washer		1
77	C6251A-05-06	Top Cover		1
78	C6251A-05-08	Bracket		1
79	RUN6246-108004	Bolt		1
80	GB278-89	Ball Bearing	16204	1
81	C6251A-05-10	Gear		1
81	C6256A-05-10	Gear		1
82	C6251A-04-03	Gear		1
82	C6256A-04-03	Gear		1
83	RUN6246-106036	Bracket		1
84	RUN6246-106042A	Arm		1
85	C6251A-01-13	Pedal-Brake		1
86	RUN6246-106073	Screw		1
87	C6251A-04-02	Cover-End		1
87	C6256A-04-02	Cover-End		1
88	C6251A-01-15	Guard Assy		1
89	RUN6246-106071	Cover		1
90	C6251A-01-20	Plate		1
90	C6256A-01-20	Plate		1
91	C6251A-04-02-1	Hing		2
92	C6251A-05-07	Gear		1
92	C6256A-05-07	Gear		1

No.	Part No.	Name	Specification	Qty.
93	C6251A-04-03	Gear		1
93	C6256A-04-03	Gear		1
94	RUN6246-108002	Spacer		1
95	GB70-85	Screw	M8×20	1
96	C6251A-05-11	Gear		1
96	C6256A-05-11	Gear		1
97	GB70-85	Screw	M6×10	3
98	RUN6246-108005	Spacer		1
99	C6251A-05-09	Spacer		2
100	GB1096-79	Key	6×10	1
101	C6251A-05-04	Shaft		1
102	C6251A-05-05	Spacer		1
103	RUN6246-108074	Screw		1
104	C6251A-05-12	Screw		1
105	C6251A-05-11y	Gear		1
105	C6256A-05-11y	Gear		1
106	GB893.1-86	External Circlip	47	2
107	C6251A-15-01	Gear		1
107	C6256A-15-01	Gear		1
108	C6251A-15-02y	Gear		1
108	C6256A-15-02y	Gear		1
109	C6251A-05-11y	Gear		1
109	C6256A-05-11y	Gear		1
110	C6251A-15-01y	Gear		1
110	C6256A-15-01y	Gear		1
111	RUN6246-108015	Spacer		1
112	C6251A-15-02y	Gear		1
112	C6256A-15-02y	Gear		1
113	C6251A-05-07y	Gear		2
113	C6256A-05-07y	Gear		2
114	GB894.1-86	External Circlip	20	1
115	GB70-85	Screw	M6×70	2
116	RUN6246-106009	Plate		1
117	GB818-85	Screw	M5×8	2
118	C6251A-01-02	Bed Gap		1
119	GB70-85	Screw	M12×50	4
120	GB881-86	Bolt Pin	10×75	2
121	GB6170-86	Nut	M10	2
122	GB70-85	Screw	M10×40	2
123	GB70-85	Screw	M6×16	2
124	RUN6246-106059	Bracket		1
125	RUN6246-106053	Bracket		1
126	GB79-85	Screw	M8×30	2
127	GB6170-86	Nut	M8	2
128	Z16-1	Lever Bush	M12×40	1
129	C6251A-01-07-1	Bush		1
130	RUN6246-106010-4	Oil Plug		1
131	GB818-85	Screw	M5×8	3
132	RUN6246-106031	Cover		1

No.	Part No.	Name	Specification	Qty.
133	GB80-85	Screw	M6×8	1
134	GB80-85	Screw	M6×8	1
135	GB70-85	Screw	M6×35	4
136	RUN6246-106057A	Lever		1
137	RUN6246-106055	Pin		1
138	RUN6246-106058	Washer		1
139	Q81-1	Spring	1×6×20	3
140	RUN6246-106056	Bush		1
141	GB70-85	Screw	M8×20	4
142	GB70-85	Screw	M16×55	6
143	GB93-86	Washer	M16	6

MACHINERYHOUSE